

ORBIS ADAPT Workstation



Features:

Orbis Adapt is an extension of the Orbis workstation. It has been developed to address two common frustrations in workplaces today: the need for spatial flexibility and freedom from cable clutter.

Each desk is suitable for a single occupant and features electric height adjustment, laptop and mobile device charging, privacy screening, mobility and folding worktop. The DC solution is also monitor compatible with the addition of a DC monitor adaptor and adjustable arm. It can be relocated, reconfigured or stored away with ease. Orbis Adapt offers enhanced mobility, agility and resilience without compromising ergonomic performance.

In collaboration with global soft wiring brand; OE Elsafe, we have worked together to produce an innovative world-first desking solution.

Frame Types:

- [Orbis Adapt DC](#)
- [Orbis Adapt AC](#)

Options:

- Worktop: 180 degree or trapezoid shape
- Folding & Static worktops: Matching or contrasting finishes
 - ◊ Front edge options:
 - Flat (Rectangle & Trapezoid)
 - Sharknose edge (Rectangle & Trapezoid)
 - R50 corners (Trapezoid only)
- Spacer screen: Rectangle or rhombus shape
Rhombus screen: Recommended use on only DC
Rectangle screen: Suitable for both AC and DC
- Modesty panel
- Batteries: 1, 2 or 3 depending on occupant's power consumption per day for DC only
- Clamp on monitors

Design: ZENITH DESIGN STUDIO

Zenith Warranty: 10 years

Battery Warranty by Elsafe: 12 months

Certification: GECA, AFRDI

Finishes:

Folding Worktop: Zenith standard laminates
50mm Castor: Grey
Modesty Panel & Spacer Screen: Sonic board
Frame, Leg & Covers: White powder coat
Fold Mechanism & Handle: White powder coat
Battery: White powder coat

Powder Coat:



Cool White (Satin)

***Zenith Standard Laminates:**



Bleached Walnut (Ravine)



Coastal Oak (Woodmatt)



Boston Oak (Woodmatt)



Natural Oak (Matt/Ravine)



Prime Oak (Matt/Woodmatt)



Notaio Walnut (Matt/Woodmatt / Ravine)



Belgian Oak (Matt)



Bottega Oak (Woodmatt)



Black (Woodmatt)

*Note: Folding & static worktop pieces can have matching or contrasting finish

Sonic Board:



Black ZPET_003



Ash ZPET_007



Light Grey ZPET_004



Silver ZPET_006



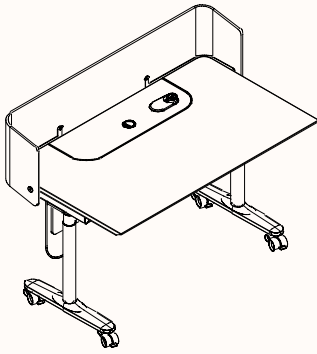
Milky White ZPET_009

Battery & Visible Electronics:



White

Worktops

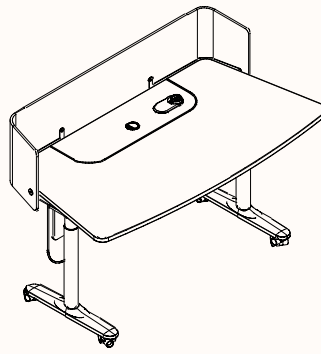


180 Degree Worktop

Length Range: 1400-1600mm

Depth Range: 700-800mm

Height Range: 680-1230mm



Trapezoid Worktop

Length Range: 1545mm (700mm Depth)

1565mm (750mm Depth)

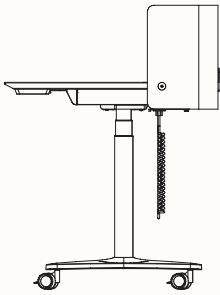
1580mm (800mm Depth)

Height Range: 680-1230mm

Note: Three different cluster variations: Face to face collaboration, linear runs and curved runs

Spacer Screens

The screen creates a safety gap of 25mm between moving worktops



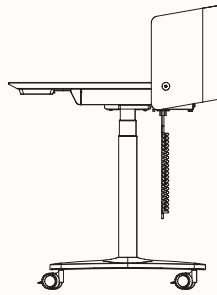
Rectangle

OD: 270mm

Above Desk Height: Min 100mm

Max 300mm

Below Desk Height: 100mm



Rhombus

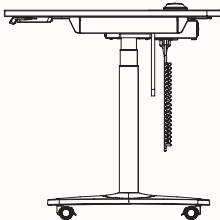
OD: 270mm

Above Desk Height: Min 100mm

Max 300mm

Below Desk Height: 100mm

Note: A Rhombus shaped screen has been developed to enable uninterrupted access to the batteries and is the recommend screen for the DC Desk



Modesty

OW: 1270mm

Below Desk Height: 293mm

Orbis Adapt DC

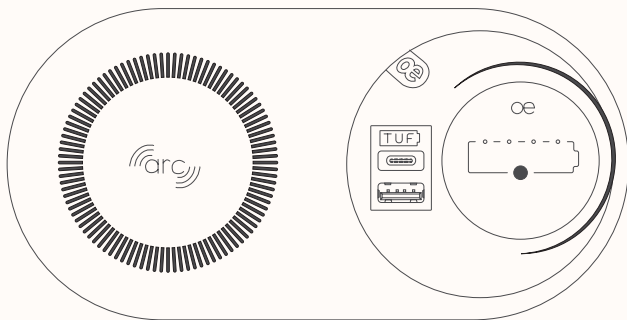
Orbis Adapt DC is the first desk of its kind on the global market due to the integrated batteries. These batteries enable cable free movement throughout the workday, allowing the occupant to choose where and how they work. Occupants can work for a single day on a single charge.



DC Wiring Loom & Accessories:

Soft wiring and powered accessories have also been developed for Orbis Adapt.

- Monitor adapter cable - Compatible with 19V monitors only and requires an adapter cable for each individual monitor
- Above desk battery level indicator - battery level can be viewed from above the worktop. This ensures the occupant can monitor the charge level at all times
- Pixel Arc charger which includes a Qi charger, USB C and USBA outlet



What is DC?

DC devices, which stands for Direct Current is widely used for low voltage, low current devices such as laptops and phones. Traditionally, these devices require additional electronics in the form of a power pack or power charger to step the power down from high voltage to low voltage.

DC Battery:

Options for one, two or three batteries can be integrated into the frame. The number of batteries required is driven by the occupant's power consumption per day. The power consumption is determined by the types of devices being charged, the number of devices being charged and the number of sit/stand cycles.



Quantity:

An online [OE Elsafe battery calculator](#) provides the ability to understand how much energy different users require. This is based on the types of devices and how many times the sit to stand feature is used throughout a typical day.

Capacity:

A single battery features 200Wh. Each Orbis Adapt desk has the capacity for one, two or three batteries which provides a max capacity of 600Wh. Batteries can be retrofit onsite if more capacity is required. A special tool is required to remove batteries on site.

Timeframe:

Each desk enables a minimum of one full day of use from a single charge however, the number of batteries per desk varies depending on the energy required.

Note: The timeframe is determined by the type and quantity of devices being charged.

Example: Two batteries are recommended to sustain 11.5 hours of use in a typical workplace scenario.

This calculation is based on the desk being used to power a phone, a large 24inch monitor, a 16inch mac pro laptop and to adjust the sit to stand function once every hour.

Daisy Chain Battery Charge:

Orbis Adapt can be charged by a standard 10amp, 3 pin wall socket.

Maximum of 6 desks (3 batteries per desk)

Maximum of 9 desks (2 batteries per desk)

Maximum of 18 desks (1 battery per desk)

Orbis Adapt AC

Orbis Adapt AC desk enables rapid movement and reconfiguration through daisy chaining features for up to 5 desks.



What is AC?

AC stands for Alternating Current and is commonly integrated into our workplaces. The AC version of Orbis Adapt uses standard power outlets or starter leads depending on the region.

AC Wiring Loom & Accessories:

The AC wiring loom features 20amp capacity. This provides power for up to 5 desks from a single power outlet.

- A 'quick release' clip can be added to the soft-wiring lead which enables the leads to be disconnected and reconnected without the need for tools
- Pixel Arc charger which includes a Qi charger and a USB C outlet

