

zenithinteriors.com

# EPIC PLUS Workstation

## Zenith

### Features:

The simplicity of Epic Plus workstation provides a robust surface for changeable work modes while allowing the rest of your furniture to do the talking. Epic Plus' design coherence creates opportunities for different linear configurations, adaptable to both concentrated and collaborative work. The workstation's flexibility also extends to length adjustability in the under-desk support and its compatibility with Framed, Precinct and Ctrl screens. The workstation is available in a range of desk sizes that provide individualised solutions tailored to your employees and your business. The slim, slightly akimbo leg lines of Epic Plus workstation provides a simple and timeless aesthetic for the workplace.

### Options:

- [90](#), [120](#) and [180](#) Degree configurations
- Compatible with framed S30 screens on all 180 degree configurations, 90 and 120 degree pods
- Ctrl Screen Rails Worktop Mounted & Double Sided Rail compatibility 180 Degree and 90 Degree (limitations apply)
- Compatible with Cable Sleeve, Cable Hub, Glovebox (min desk size 1200mm), 96mm Duct
- Floorsight pucks and sensors

**Design:** ZENITH DESIGN STUDIO

**Warranty:** 10 years

**Certification:** GECA, Greenguard, AFRDI

**Load Rating:** Standard load limit for desks = 100kgs including the worktop weight.  
Contact your Zenith Sales office if you require anything exceeding this limitation.

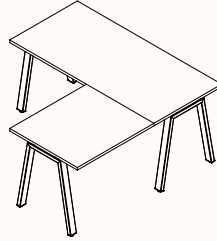
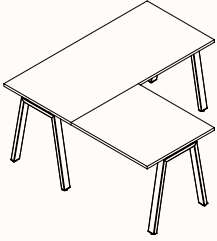
### Finishes:

Worktop: 25mm laminate, veneer or custom top  
Leg & frame: Powder coated in Zenith House Matt/Satin/  
Fine Texture range  
Custom colours on request

#### Zenith House Powder Coat:



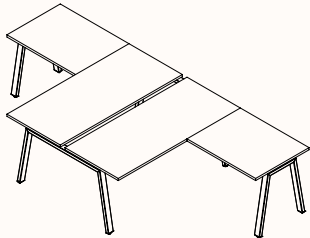
## 90 Degree



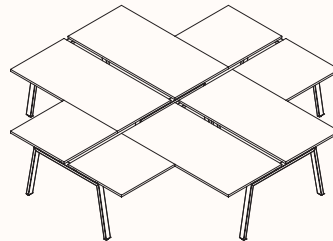
### 90 Degree Single 3 End Left Hand

Length Range: 1200-2400mm  
Depth Range: 600-900mm  
Height: 750mm

### 90 Degree Single 3 End Right Hand

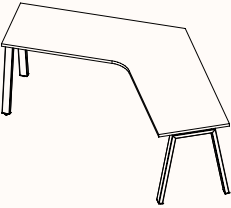


### Pod of 2 3 End Right Hand



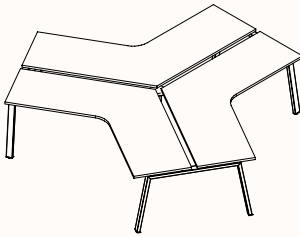
### Pod of 4 3 End Left Hand & 3 End Right Hand

**120 Degree**

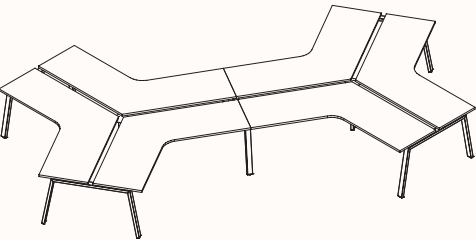


**120 Degree Single**

Length Range: 1200-2000mm  
Depth Range: 600-900mm  
Height: 750mm

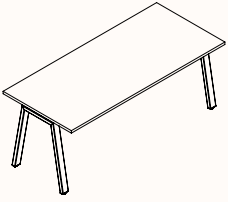


**120 Degree Pod of 3**



**120 Degree Pod of 6**

## 180 Degree



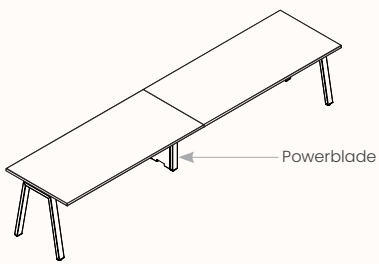
## 180 Degree Single

Length Range: 900-2400mm

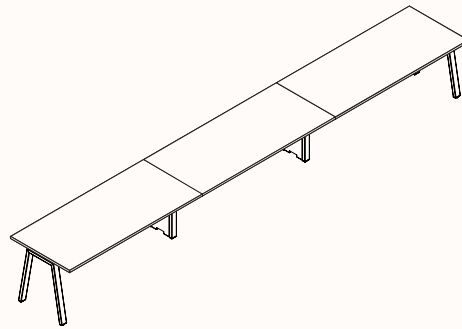
Depth Range: 600-900mm

Height: 750mm

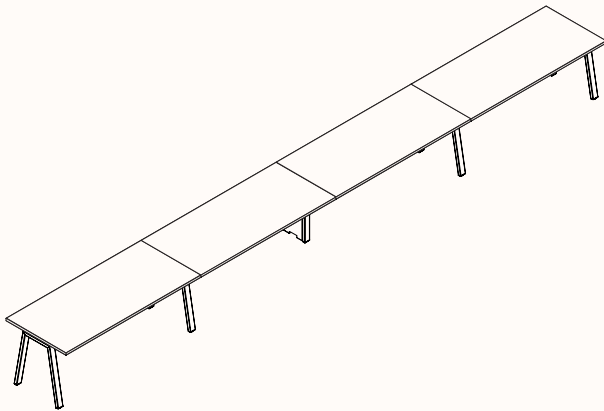
These measurements apply to all worktop sizes within the Epic Plus range.



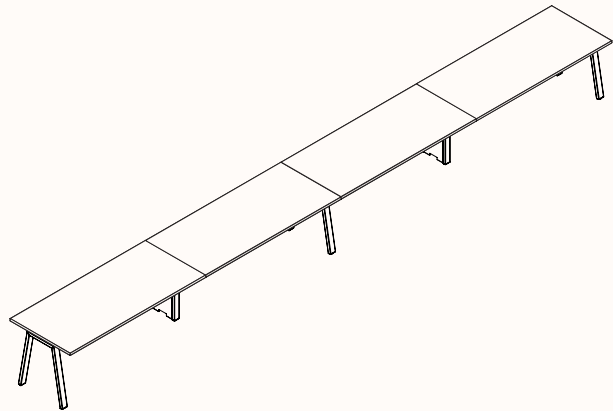
## Run of 2



## Run of 3

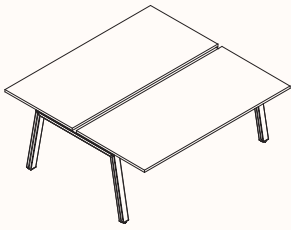


## Run of 4 1x Powerblade Shared Leg

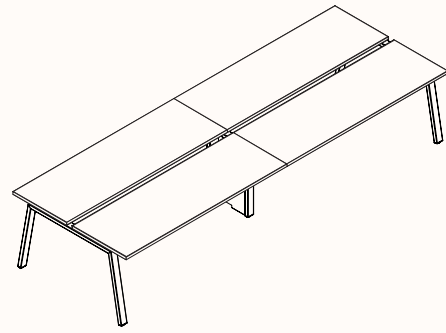


## Run of 4 2x Powerblade Shared Leg

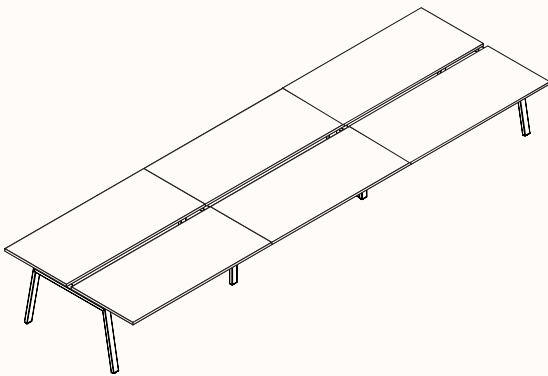
**180 Degree**



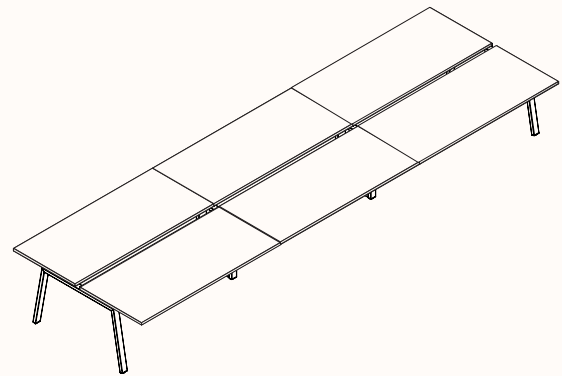
**Pod of 2**



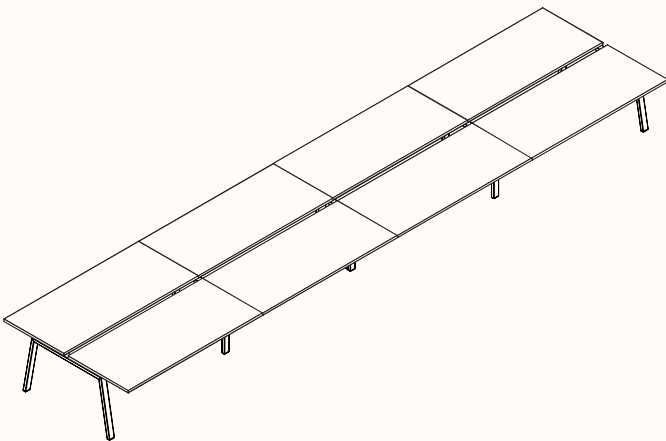
**Pod of 4 Straight Shared Leg  
with Powerblade**



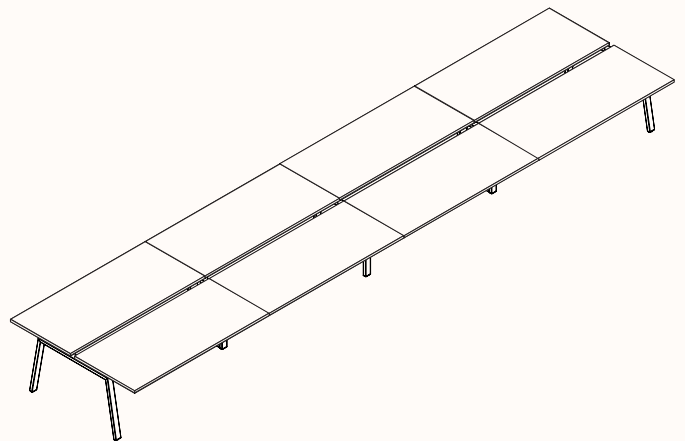
**Pod of 6 Straight Shared Legs  
with 1x Powerblade**



**Pod of 6 Straight Shared Legs  
with 2x Powerblade**



**Pod of 8 Straight Shared Legs  
with 1x Powerblade**



**Pod of 8 Straight Shared Legs  
with 2x Powerblade**

Note: Overall depth of Pod dependant on screen type and gap.