

# PRECINCT Screens



## Features:

Precinct is a soft and frameless screen solution that is highly functional and aesthetically pleasing, creating clean and defined workspaces.

## Worktop Mounted

- [Classic, Sweep & Elevated](#)
- [Curve One Way Fold LH & RH, Curve Two Way Fold](#)
- [Flex Double Return, Flex Single Return LH & RH](#)

## Frame Mounted

- [Spine](#)
- [Spine & End](#)
- [Screen Arm](#)
- [Spine for Orbis Ombre PIE](#)
- [Curve for Orbis Ombre](#)

## On Desk

- [Hold on](#)
- [Fold me](#)

**Design:** ZENITH DESIGN STUDIO

**Certification:** GECA, PEFC

**Warranty:** 5 years

## Finishes:

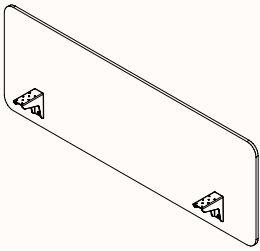
Upholstered in Zenith Select fabric or COM  
Refer to Zenith Select Fabric Specification Sheet

## Worktop Mounted Classic & Sweep

- 0 - 30mm screen gap required for Orbis, Rumba desks with Duct
- Cannot go to floor
- Cannot be used as end/return screens

**Compatibility:** All workstations with 25mm and 33mm worktops

### Dimensions:

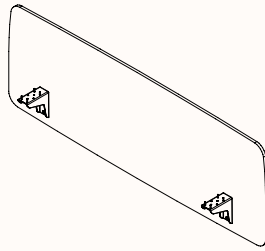


#### Classic

Thickness: 30mm  
Width Range: 500mm - 2000mm  
Height Range: 300mm - 800mm  
Adjust the above / below height to suit

Screen Height Above Desk:  
Min: 150mm  
Max: 500mm

Screen Height Below Desk:  
Min: 130mm

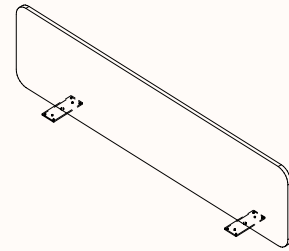


#### Sweep

Thickness: 30mm  
Width Range: 500mm - 2000mm  
Height Range: 300mm - 800mm  
Adjust the above / below height to suit

Screen Height Above Desk:  
Min: 150mm  
Max: 500mm

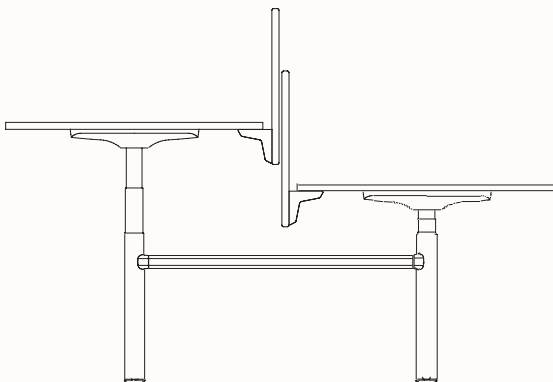
Screen Height Below Desk:  
Min: 130mm



#### Elevated

Thickness: 30mm  
Width Range: 1200mm - 2000mm  
Height Range: 300mm - 500mm  
Adjust the above / below height to suit

Screen Height Above Desk:  
Min: 300mm  
Max: 500mm



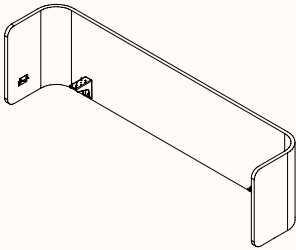
Leg profile indicative only

## Worktop Mounted Curve

- One Way Fold LH & RH and Two Way Fold
- 15 - 30mm screen gap required for Orbis, Rumba desks with Duct
- Worktop must have rear corners with 100mm radius
- Curve only around 90 ° corners
- Mounted only to 180 ° worktops

**Compatibility:** Orbis/Ombre 180° pod of 2 and single desk, Rumba 180 ° single desk, Kissen 180 ° single desk with 25mm and 33mm worktops

### Dimensions:



#### Curve- Two Way Fold

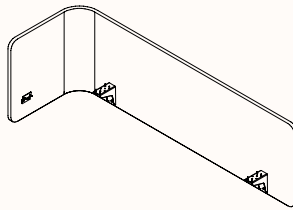
Thickness: 30mm  
 Length Range: 1200mm - 2400mm  
 Return Length Range: 300mm - 500mm  
 Height: Max 800mm

Screen Height Above Desk:

Min: 150mm  
 Max: 500mm

Screen Height Below Desk:

Min: 130mm



#### Curve- One Way Fold LH

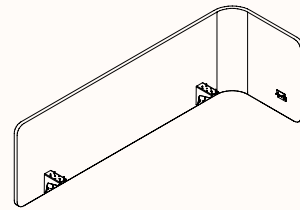
Thickness: 30mm  
 Length Range: 1200mm - 2400mm  
 Return Length Range: 300mm - 800mm  
 Height: Max 800mm

Screen Height Above Desk:

Min: 150mm  
 Max: 500mm

Screen Height Below Desk:

Min: 130mm



#### Curve- One Way Fold RH

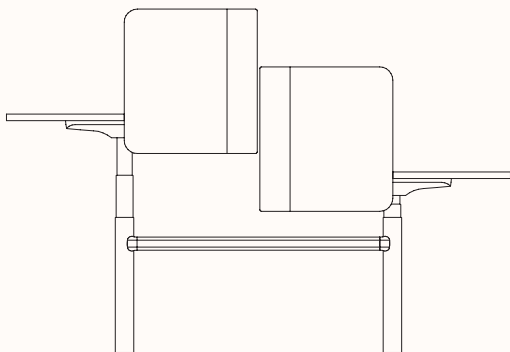
Thickness: 30mm  
 Length Range: 1200mm - 2400mm  
 Return Length Range: 300mm - 800mm  
 Height: Max 800mm

Screen Height Above Desk:

Min: 150mm  
 Max: 500mm

Screen Height Below Desk:

Min: 130mm



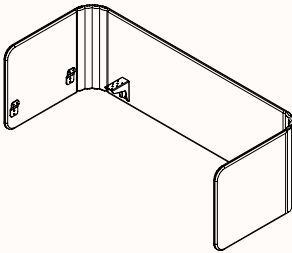
Leg profile indicative only

## Worktop Mounted Flex

- Double Return, Single Return LH & RH
- Screen gap 12mm
- Worktop can have square rear corners or 100mm radius
- Cannot go to floor

**Compatibility:** Orbis/Ombre 180° pod of 2 and single desk, Rumba 180° single desk, Rumba 180° pod of 2 fixed height, Kissen 180° single desk with 25mm and 33mm worktops

## Dimensions:



### Flex - Double Return

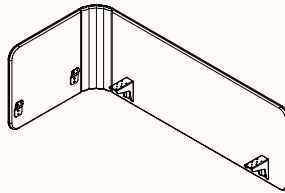
Thickness: 30mm  
 Length Range: 1200mm - 2400mm  
 Return Length Range: 300mm - 800mm  
 Height: Max 1025mm

Screen Height Above Desk:

Min: 150mm  
 Max: 500mm

Screen Height Below Desk:

Min: 130mm  
 Min: 500mm



### Flex - Single Return LH

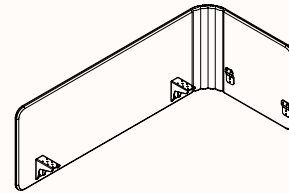
Thickness: 30mm  
 Length Range: 1200mm - 2400mm  
 Return Length Range: 300mm  
 Height: Max 1025mm

Screen Height Above Desk:

Min: 150mm  
 Max: 500mm

Screen Height Below Desk:

Min: 130mm  
 Min: 500mm



### Flex - Single Return RH

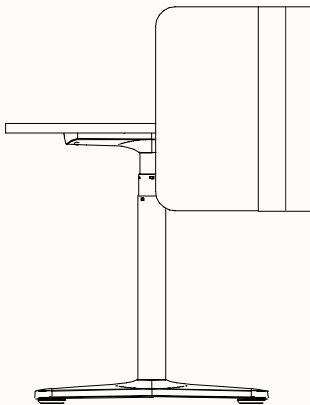
Thickness: 30mm  
 Length Range: 1200mm - 2400mm  
 Return Length Range: 300mm  
 Height: Max 1025mm

Screen Height Above Desk:

Min: 150mm  
 Max: 500mm

Screen Height Below Desk:

Min: 130mm  
 Min: 500mm



Leg profile indicative only

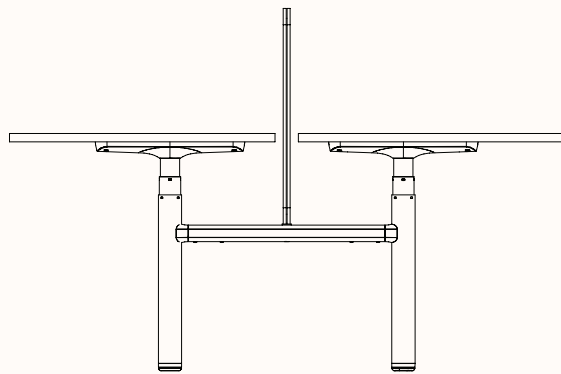
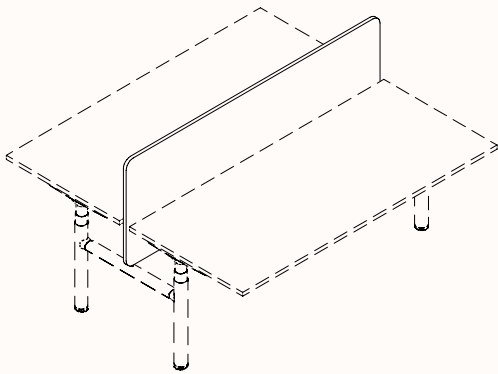
### Frame Mounted Spine

- 0 – 30mm screen gap
- Classic & Sweep shape
- Cannot go to floor
- Fixed to crossbeam
- The optional spine raiser lifts the bottom of the screen up above the workstation crossbeam to reduce the Screen Actual Height and improve the clearance to the cable duct. The spine raiser for Orbis = 166mm high, and for Rumba / Orbis-E = 100mm high.

### Compatibility:

Orbis/Ombre (for the 180 pod 2 only), Orbis 90° pod of 2-T, Orbis 90° pod of 4-X, Orbis-E 180° pod of 2  
Rumba 180° pod of 2, Rumba 90° pod of 2-T, Rumba 90° pod of 4-X

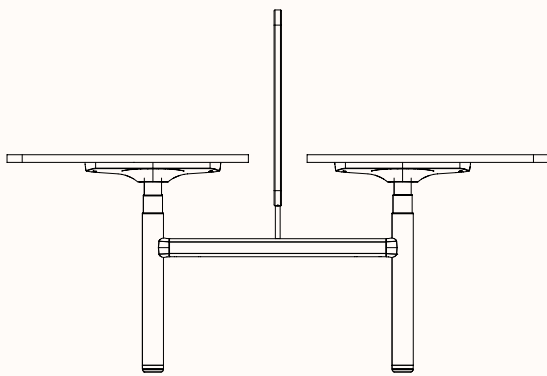
### Dimensions:



Leg profile indicative only

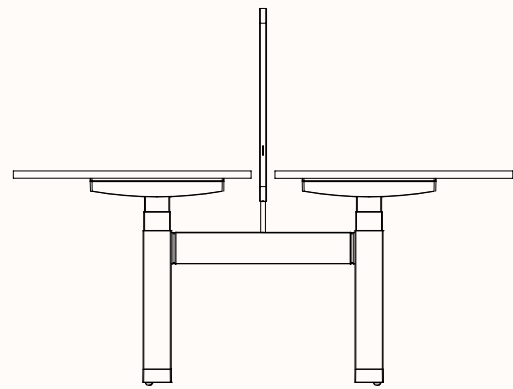
### Spine

Thickness: 30mm  
Length Range: Min 1200mm - Max 2000mm  
(Must equal frame length)  
Height: Min 900mm - Max 1250mm



### Orbis Spine Raiser

To suit ORBIS 50X60 X-Beams & 60X60 X-Beams



### Rumba Spine Raiser

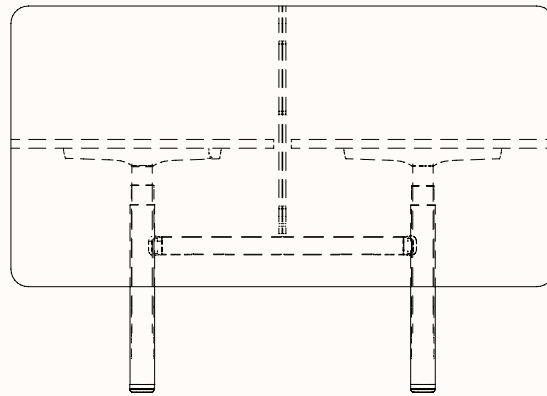
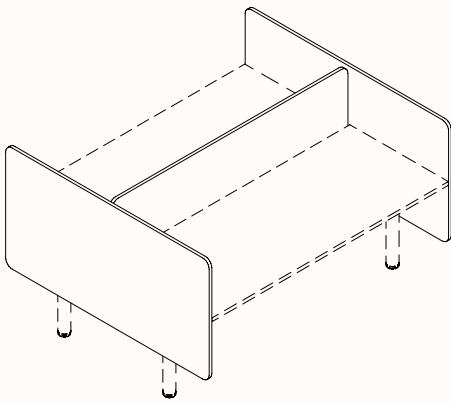
To suit RUMBA X-Beams

### Frame Mounted Spine & End

- 0 – 30mm screen gap
- Classic shape
- Cannot go to floor
- Fixed to crossbeam
- End screen quantity: one or two ends
- Spine & End screens must be the same overall height

**Compatibility:** Orbis 180° pod of 2 & Rumba 180 ° pod of 2

### Dimensions:



Leg profile indicative only

### Spine & End

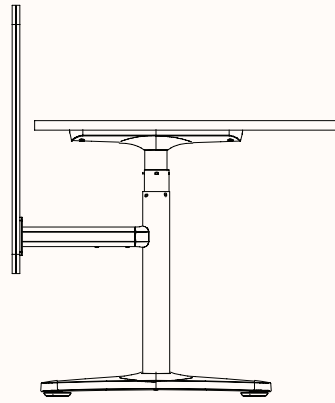
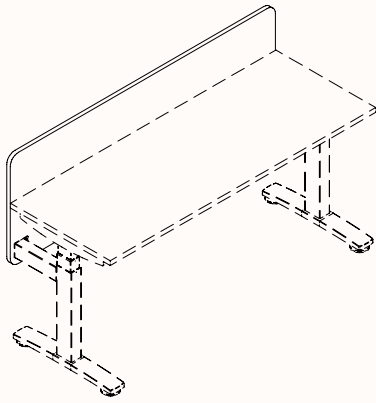
Thickness:	30mm
Spine Length Range:	1200mm - 2000mm (Must equal frame length)
Spine Height:	Min 900mm - Max 1250mm
End Screen Length:	Must equal frame depth
End Height Range:	Min 200 - Max 310mm

### Frame Mounted Screen Arm

- 0 – 30mm Screen gap
- Classic & Sweep shape
- Cannot go to floor

**Compatibility:** Orbis/Ombre (for 180 deg single only), Orbis 90° 2 end & Orbis 90° 3 end, Rumba 180° single, Rumba 90° 2 end & Rumba 90° 3 end

### Dimensions:



Leg profile indicative only

### Screen Arm

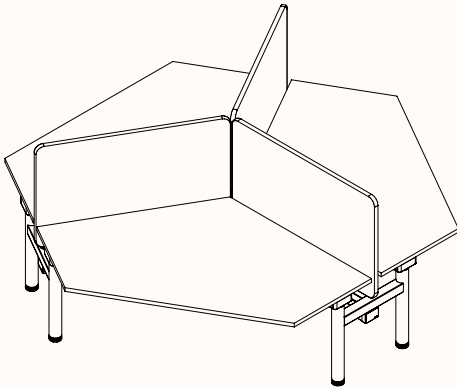
Thickness: 30mm  
Length Range: 1200mm – 2000mm  
(Must equal frame length)  
Height Range: 900mm – 1200mm

### Frame Mounted Spine for Orbis Ombre PIE

- 30-100mm worktop gap
- Cannot go to floor
- Fixed to the crossbeam
- With optional spine raiser
- With option to fit central umbilical

**Compatibility:** Orbis Ombre PIE shaped pods

### Dimensions:



### Spine for Orbis Ombre PIE

Thickness: 30mm

Length Range: 1100mm - 1300mm

(Must match frame length)

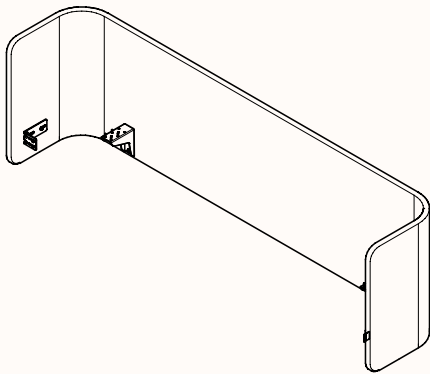
Height Range: 900mm - 1250mm

### Frame Mounted Curve for Orbis Ombre

- Two-way fold only
- 15-30mm screen gap
- Worktop must have rear corners with 100mm radius
- Curves only around 90 degree corners
- Mounted only to 180 degree configurations (brackets fix to frame and worktop)

**Compatibility:** Orbis Ombre 180-DEG single desk and 180-POD2

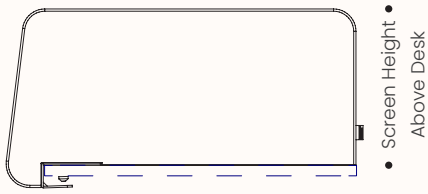
### Dimensions:



### Frame Mounted Curve for Orbis Ombre

Thickness:	30mm
Length Range:	1200mm - 2400mm
Height Range:	Max 800mm
Screen Height Above Desk:	Min. 150mm/max. 500mm
Screen Height Below Desk:	Min. 130mm

## On Desk Screens



•83• 600 - 900 •

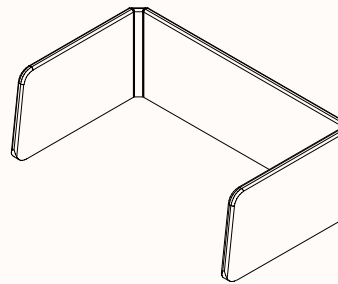
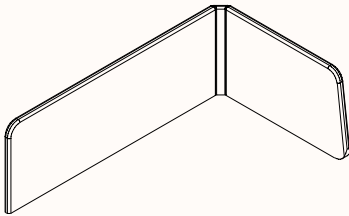
### Hold On

Screen Height Above Desk:

Min: 200mm

Max: 600mm

Worktop Thickness: 25/33mm



### Fold Me - One Fold

Screen Length: 800 or 1000mm

Return Length: 300 - 600mm

Screen Height: 350mm

### Fold Me - Two Fold

Screen Length: 800 or 1000mm

Return Length: 300 - 600mm

Screen Height: 350mm