

ZENITH CONNECT Puck



Features:

Zenith Connect Puck is a workpoint integrated desk reservation solution offering frictionless check-in and check-out of spaces, combined with occupancy sensing and wireless / wired device charging.

Use the Zenith Connect Puck to make any space bookable, track user location, offer wayfinding and gain insights into actual space utilisation for space planning, all while providing the user a convenient charging solution for the phone and laptop.

Zenith Connect Puck is all supplied with a wayfinding feature. The app pin points your location with a blue dot on the floorplan and directs you to your desk or meeting room.

Options:

- Swipe for Power: A soft wiring integrated power relay which keeps all below desk powered devices such as monitors and docking stations off until a valid user has checked into the desk
- Follow Me Ergonomics: Using the same app to check-in to a desk, the user can immediately adjust their desk height to their saved preference rather than using a desk controller
- Puck available in a power only version with no booking or tracing system
- Additional top of desk GPO outlet
- 65W or 100W Laptop USB-C Charging Port

Design: FLOORSENSE

Warranty: 2 years (Up to 5 years extended warranty)
(Refer to Floorsense Warranty Document for more details)

Finishes:

Puck:

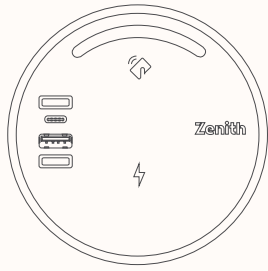


Black



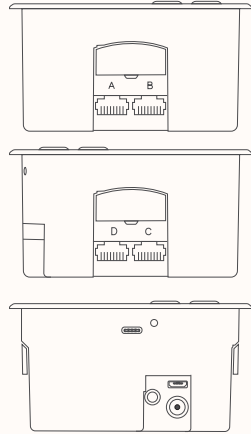
White

Zenith Connect Puck with Occupancy Sensor



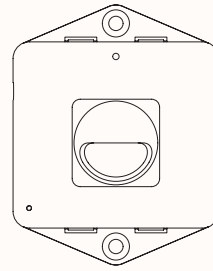
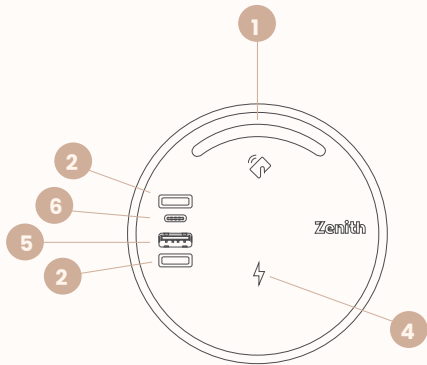
Desk Puck

Top DIA 99mm
 Bottom DIA 89mm
 OH 62mm



Features:

1. Progressive 5 LED Status Indicator
2. Multi-Function Dual Buttons
3. Building Card RFID Reader
4. 15W Qi Compatible Wireless Charging
5. 12W USB-A Charging Port
6. 65W Laptop USB-C Charging Port (Option for 100W)
7. Bluetooth Mesh Puck Connection Network
8. Audio Speaker
9. Under-desk Sensor Connector
10. BioCote Anti-Microbial Surface with Silver Ions
11. Follow Me Ergonomics
12. Swipe for Power (Optional)



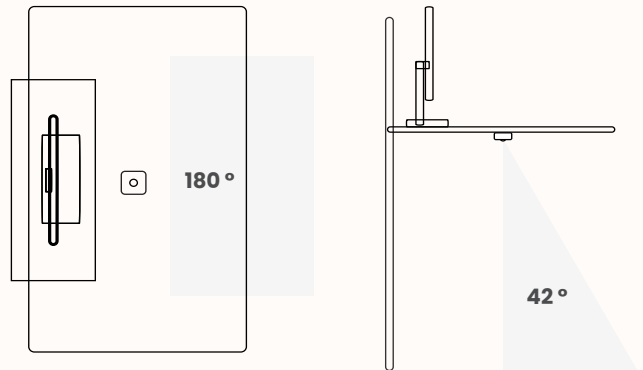
Occupancy Sensor

OH 58mm
 OW 64mm
 OD 16mm

Features:

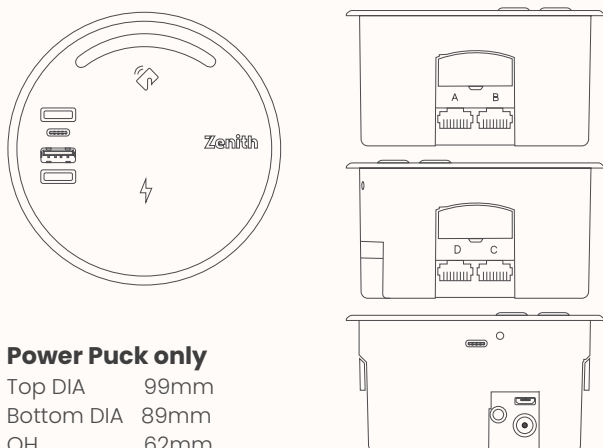
- The occupancy sensor fits neatly under the desktop meeting table or work pod at sitting or standing height
- The AI auto-tuned algorithm has been created to minimise false readings in condensed spaces
- Occupancy data is mapped to real time and reports back to the central administrator
- Floorsense commissioning can be completed by furniture installers rather than IT technicians

Sensor Range:



TECHNICAL DATA	DESCRIPTION	TECHNICAL DATA	DESCRIPTION
Input (powder adaptor)	100-24V AC; 50-60Hz 2.5A	USB Outlets	1 x USB Type C PD3.0 1 x USB Type A 5V Fixed
Max Total Output	120W	Standby Power Use	0.3W
Inrush Current	100A	Over voltage Protection	24-27V
Operating Temp	0-40C	Over current Protection	6A

Zenith Connect Power Puck

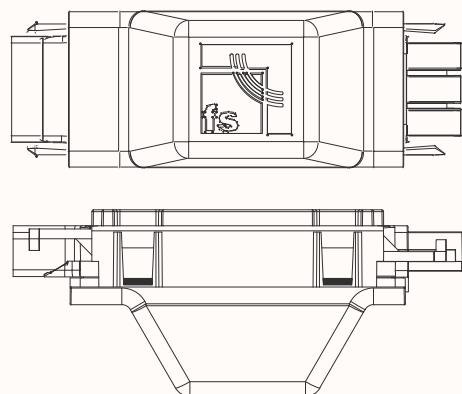


Power Puck only

Top DIA 99mm
 Bottom DIA 89mm
 OH 62mm

- Same features as Desk Puck
- 65W Laptop USB-C Charging Port only
- Excluding booking & tracing system

Swipe for Power



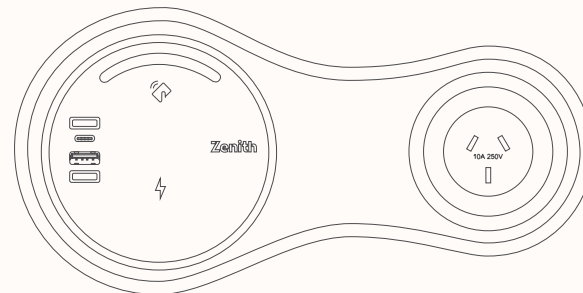
Swipe for Power

OW 135mm
 OD 47.5mm

Features:

- A soft wiring integrated power relay which keeps all below desk powered devices such as monitors and docking stations off until a valid user has checked into the desk.
- Forcing the user to swipe on at the workpoint will ensure compliance with the desk booking system providing truly accurate desk usage data.
- Lower power usage by reducing the use of stand by power, providing a cost saving and reducing your footprint on the environment.

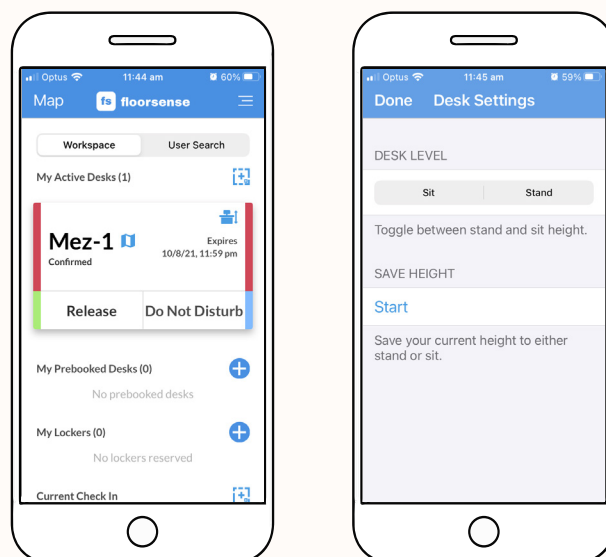
Zenith Connect Puck with GPO outlet



Desk Puck with Occupancy Sensor or Power Puck only with GPO Outlet

OW 220mm

Follow Me Ergonomics



Features:

- The users desk height preferences are entered and stored in the same booking App rather than the desk controller, when the user moves between desks, the desk height will move with them across all locations, floors and buildings.
- Compatible with Zenith Electric Adjust Workstations.