

Zenith



VERSE

ZENITH Design





A personal space for everyone

As we make the move back to shared spaces, it's the home's privacy that should be translated into workspaces. Zenith Design Studio introduces Verse Rooms to create that personal space for everyone.

This space goes by many names and formations – productivity hubs, focus rooms, meditation rooms – the result is the same: a quiet space where employees can find focus, confidentiality, or hold a private meeting within an open, collaborative floor plan layout.

In its many configurations, Verse caters to these multi-fold motivations for privacy; allowing a group to collaborate openly without fear of disturbing others and for a single employee to focus on a task without distraction.

When paired with Zenith's Kissen Collection of sitting or standing tables and the Sol-Sit Lounge Modules, each Verse room comes to life. By making a comfortable personal space for everyone, Zenith is expanding the possibilities of your workspace.



Designed to integrate seamlessly and embrace the environment by which it sits in.

Verse requires no specialised trades, simply assembled using basic tools, allowing for ease of installation or reconfiguration.

In accordance with local regulations and fully compliant with workplace and building regulations internationally.



ZENITH

Design

Studio

Understanding and collaborating with the client ensures all outcomes are achieved.

ZENITH's capacity to research, prototype and test products is an integral part to their design process. By putting an emphasis on researching global trends and anticipating the ever-changing climate of technology in the work environment, ZENITH not only responds to demands in the market but pioneers and innovate.

With the capability and facilities to manufacture locally, ZENITH products are exceptionally designed, customised and thoroughly tested for product suitability and usability to suit individual needs and user requirements.





Verse 1

A privacy room for the individual

Verse 1 allows the employee to remove themselves from the distractions of the open and bustling workplace. It's a room within the room, where employees can take a private phone call or host an online meeting without interruption. It is also fitted with a shelf for employees to perch their devices on for concentrated work as well as a gallery rail to hang tools for brainstorming.

Materials:

Timber & Aluminum frames

Accessories:

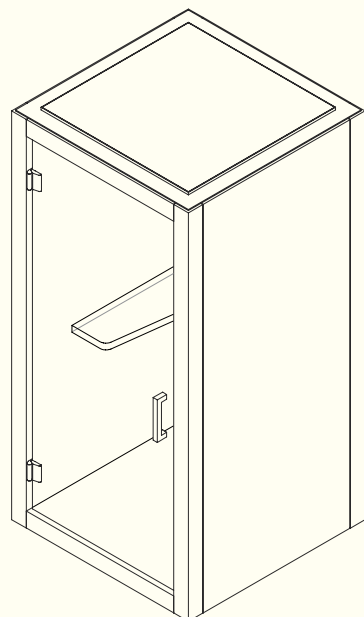
White board or cork board accessories

Air Ventilation:

Verse 1 has Extraction airflow suited to small spaces, with a maximum rating of 30L/s for 1 person in the space.

Lighting:

Verse 1 comes with 13W Down Light and a sensor suited for a small space with three built in settings: Warm White, Neutral White, or White. Verse lighting brightness can be controlled by a dimmer, and turned off by PIR sensor when the room is unoccupied.



Verse 2

Large Focus Room

Verse 2 offers a larger focus room, capable of comfortably catering to both the single employee or the couple in need of privacy within the open floor plan. It's a space where you can come together as a group to collaborate while minimising the noise from those outside the room. It is fitted with a gallery rail to hang accessories for ideation by the group.

Materials:

Timber frame

Accessories:

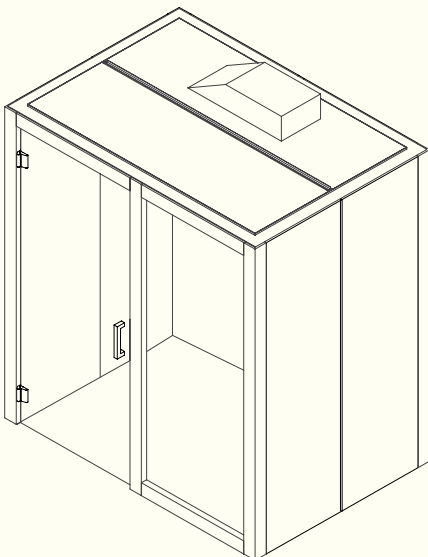
White board or cork board accessories
3 standard room sizes (WxD) with 2 available heights
Media panel and shelf

Air Ventilation:

Verse 2 has Induction airflow to give the larger room cleaner and better air exchange, with a maximum rating of 250-166L/s for 2-3 people in the space.

Lighting:

Verse 2 comes with 19W/m LED Strip Lighting and Driver suited for different room sizes with 1800lm/m Natural White (4000K). Verse lighting brightness can be controlled by a dimmer, and turned off by PIR sensor when the room is unoccupied.







Verse 3

Generous Meeting Room

An extended space, Verse 3 adds a generous meeting with enhanced privacy capabilities to your workplace that's fully DDA compliant.

Verse 3 creates ambience, minimising the din of the workplace for the group in discussion and minimising the noise of the conversations taking place inside the privacy room for those focused outside.

Materials:

Timber frame

Accessories:

White board or cork board accessories

Media panel can house 42" - 65" TV

Wall mounted table at sitting or standing height

4 standard room sizes (WxD) with 2 available heights

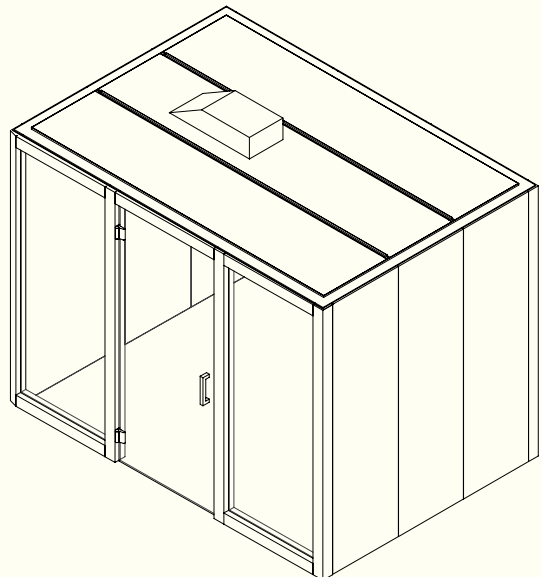
Door handle left or right side

Air Ventilation:

Verse 3 has Induction airflow to give the larger room cleaner and better air exchange, with a maximum rating of 100L/s for 5 people in the space.

Lighting:

Verse 3 comes with 19W/m LED Strip Lighting and Driver suited for different room sizes with 1800lm/m Natural White (4000K). Verse lighting brightness can be controlled by a dimmer, and turned off by PIR sensor when the room is unoccupied.





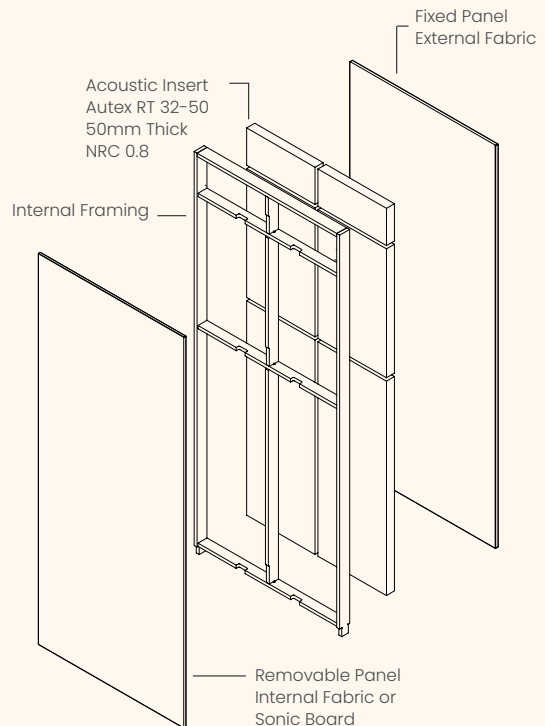
Acoustics

3 Green Star for acoustics

Verse has been tested in accordance with ISO 717-1:2004 Acoustics – Rating of sound insulation in buildings and of building elements – Airborne sound insulation.

Independent Acoustic Testing shows that Verse can qualify for 3 Green Star Credits for acoustics and can achieve between 32–39Dw at 40dB Ambiance with a Privacy Rating of 67–74, depending on the wall type and material selected.

Normal voice conversations can be heard as a muffled sound in adjoining rooms but cannot be understood.







Crafted Hardwoods

Sustainable Timber

Timber stands as one of the most environmentally friendly resources, yet it remains vulnerable to deforestation due to its slow natural growth. Utilising advanced robotics and smart automation, Crafted Hardwoods convert low value, juvenile resources (that would generally be designated for woodchip) into new hardwoods that look and feel like 100-year-old wood.

As part of our ongoing commitment to sustainability, Crafted Hardwoods timber is now an option for Zenith's Verse; one of the most sustainable acoustic pods available. A differentiating feature of Verse is the external timber frame finish which adds a warm organic element to the design aesthetic. Zenith will now offer Verse frames in 'Tasmanian Oak' and 'Blackbutt' by Crafted Hardwoods, which are all sourced and manufactured in Australia.

Championing their sustainability commitment, Crafted Hardwoods will contribute to reforestation through OneTreePlanted for each Verse purchased with Crafted Hardwoods frames:

Verse 1 = 1 tree

Verse 2 = 2 trees

Verse 3 = 3 trees



Floorsense Rooms

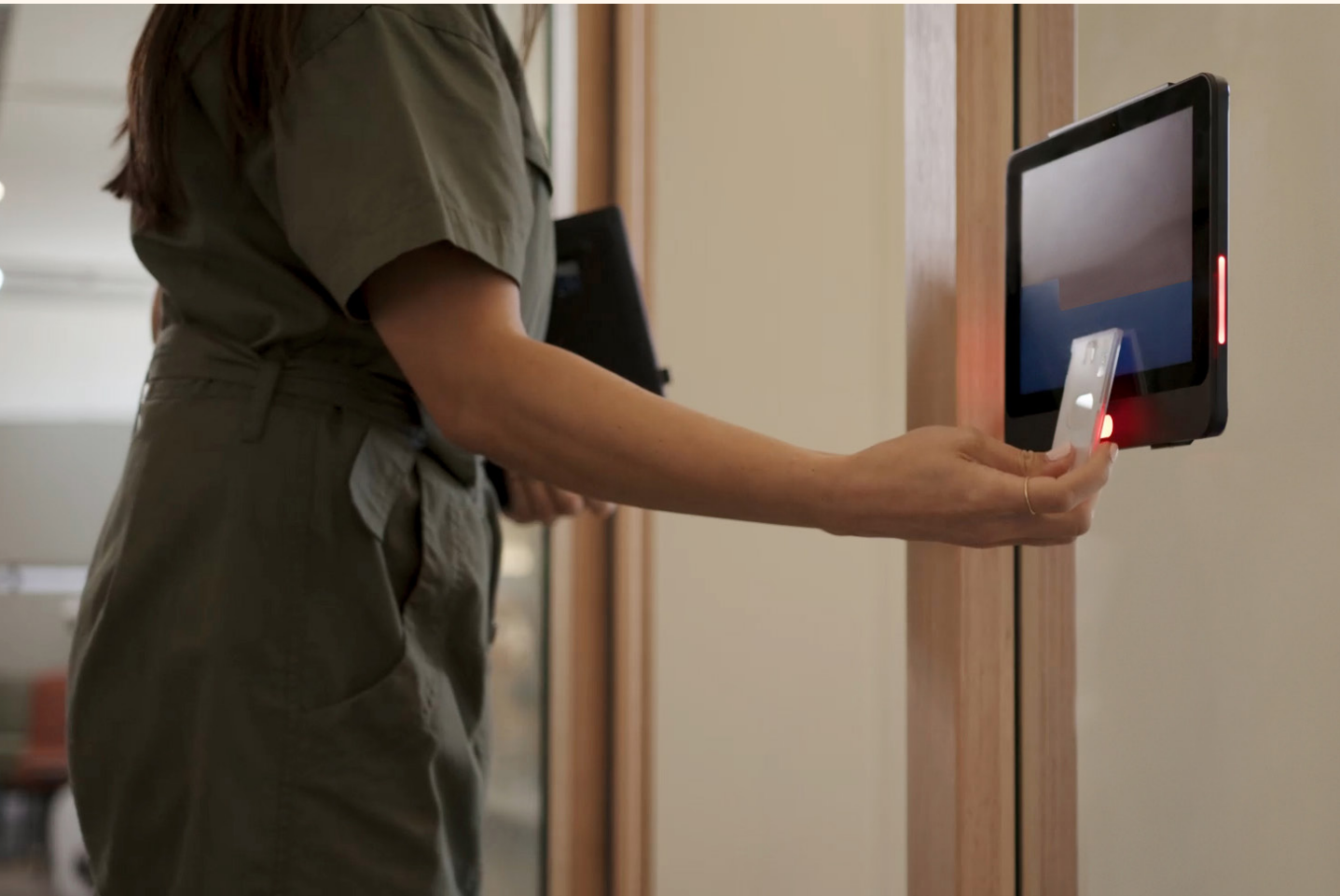
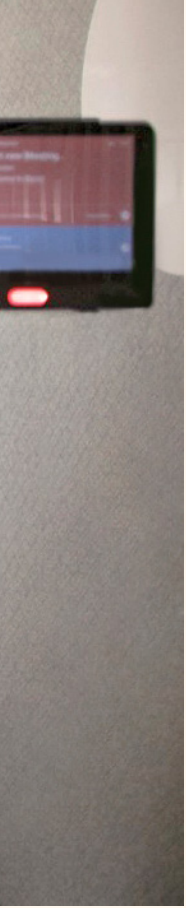
Intergrated booking system

Floorsense Rooms extends occupancy monitoring and on-demand bookings to the meeting room.

Rooms provides the ability to book the physical space to support virtual meetings created in other systems.

It offers a rich analytics system to report on room occupancy vs room size and drill down on busy periods to find peaks based on room features.

Floorsense provides an App for booking desks, lockers and meeting rooms, all in one place. Improving employee experience and creating a truly integrated workplace technology system.



Zenith | curators of the modern workspace

We've worked with interior designers, architects and workplace curators for many years. Together, we've developed a range of internal workspace environments. We work alongside these curators of modern workspaces to redefine the environments where people live, work, socialise, interact and learn.

Contemporary workplaces have to combine leading edge technology and physical elements in a way that produces productive environments for organisations. And every organisation is unique. So before we recommend a solution, we work hard to understand the organisation and the people who define its culture.

Our local teams and showrooms deliver the support you need.

Showroom locations

Australia: Melbourne, Sydney, Canberra, Brisbane, Perth, Adelaide

New Zealand: Auckland, Wellington, Christchurch

Asia: Hong Kong, Shanghai, Singapore, Shenzhen

zenithinteriors.com