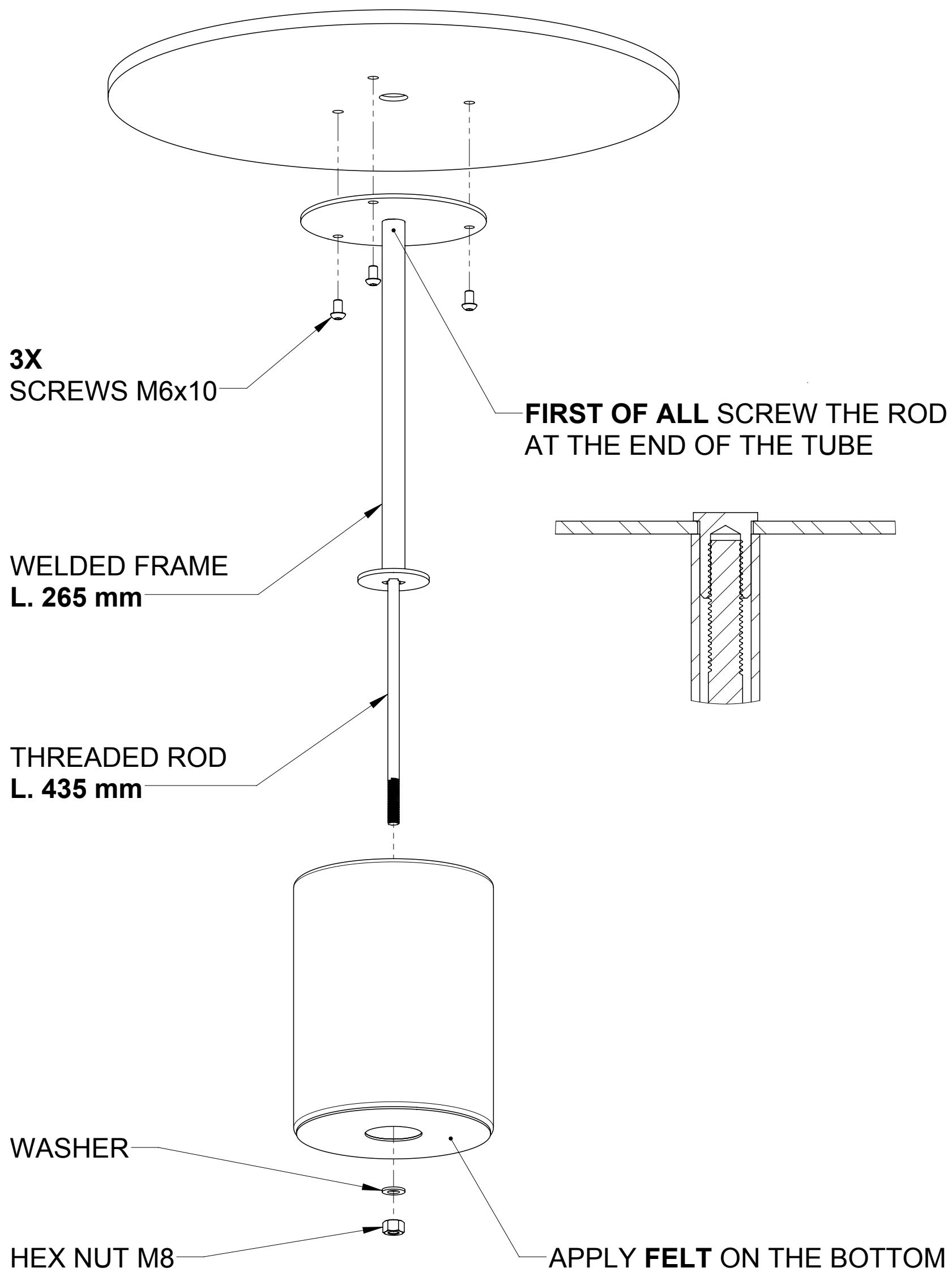


JEY

assembly instructions

T40 - without handle



JEY

assembly instructions

T41 - with handle

