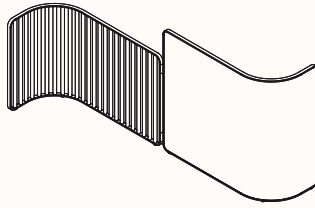
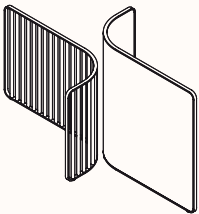


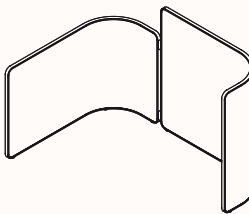
S-Short



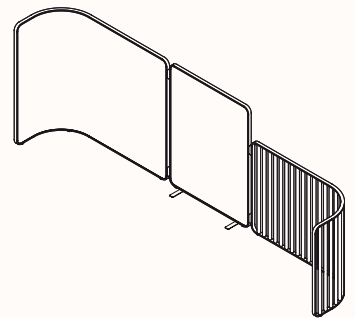
S-Long



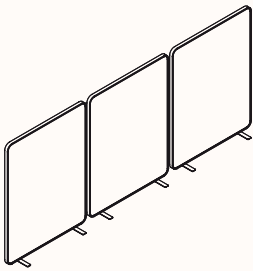
X-Shape



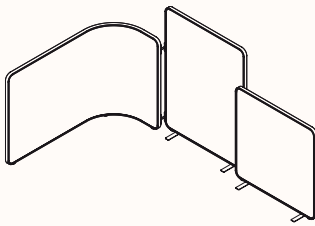
C-Short



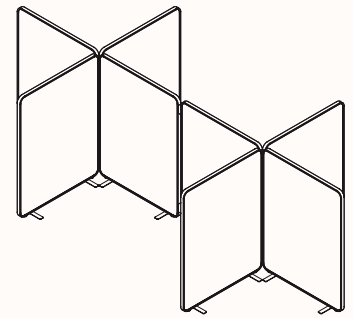
C-Long



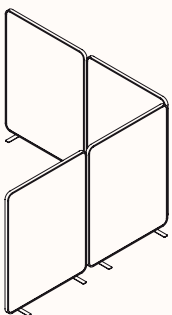
Wall Shape



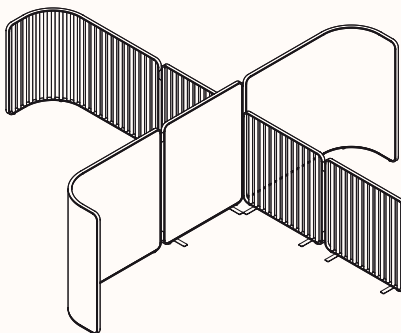
L-Shape



Cross Shape



Corner Shape



Intersection - 4