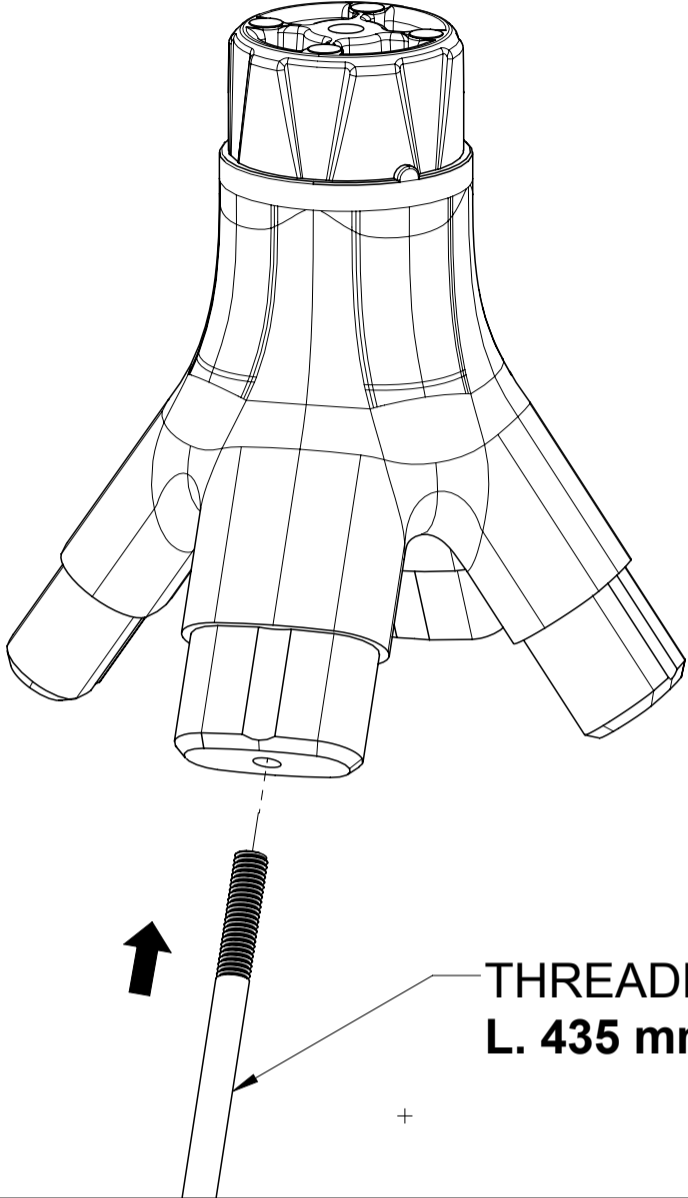


# FORK P120

assembly instructions

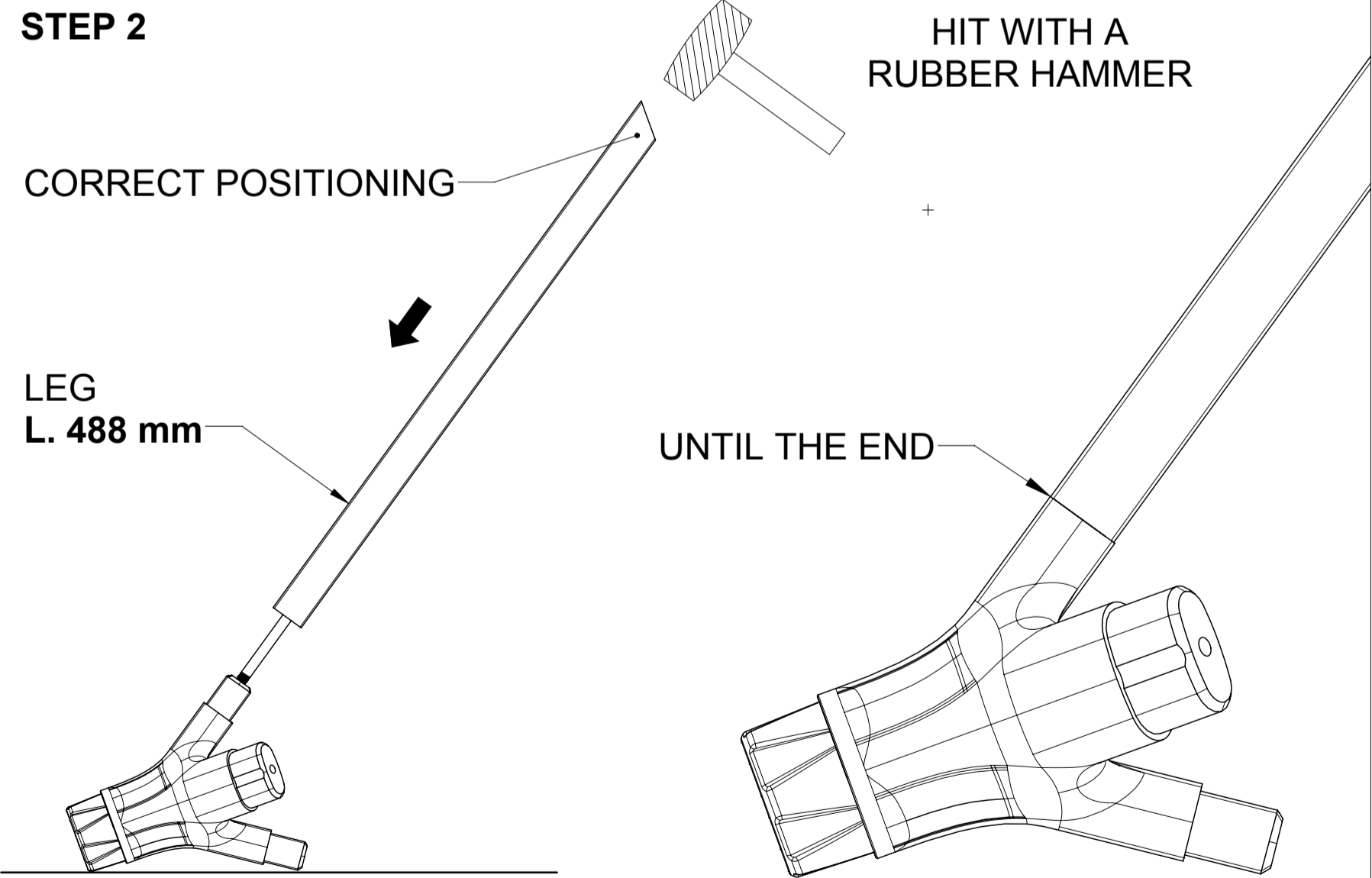
## STEP 1



SCREW UNTIL THE END

THREADED ROD M8  
L. 435 mm

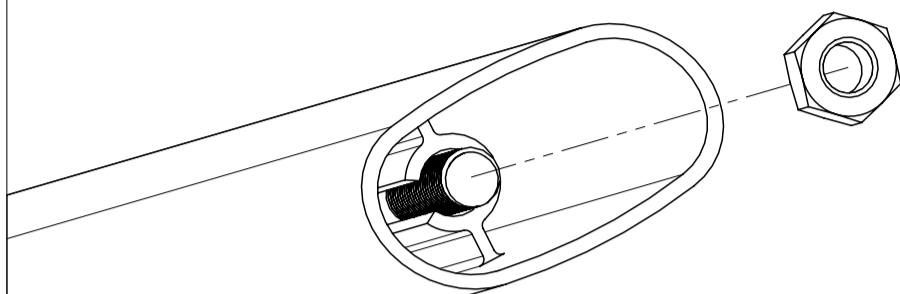
## STEP 2



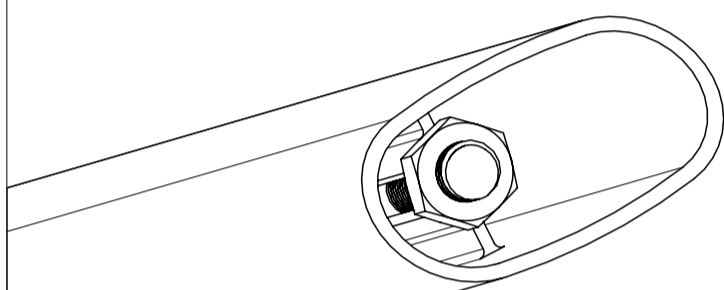
# FORK P120

assembly instructions

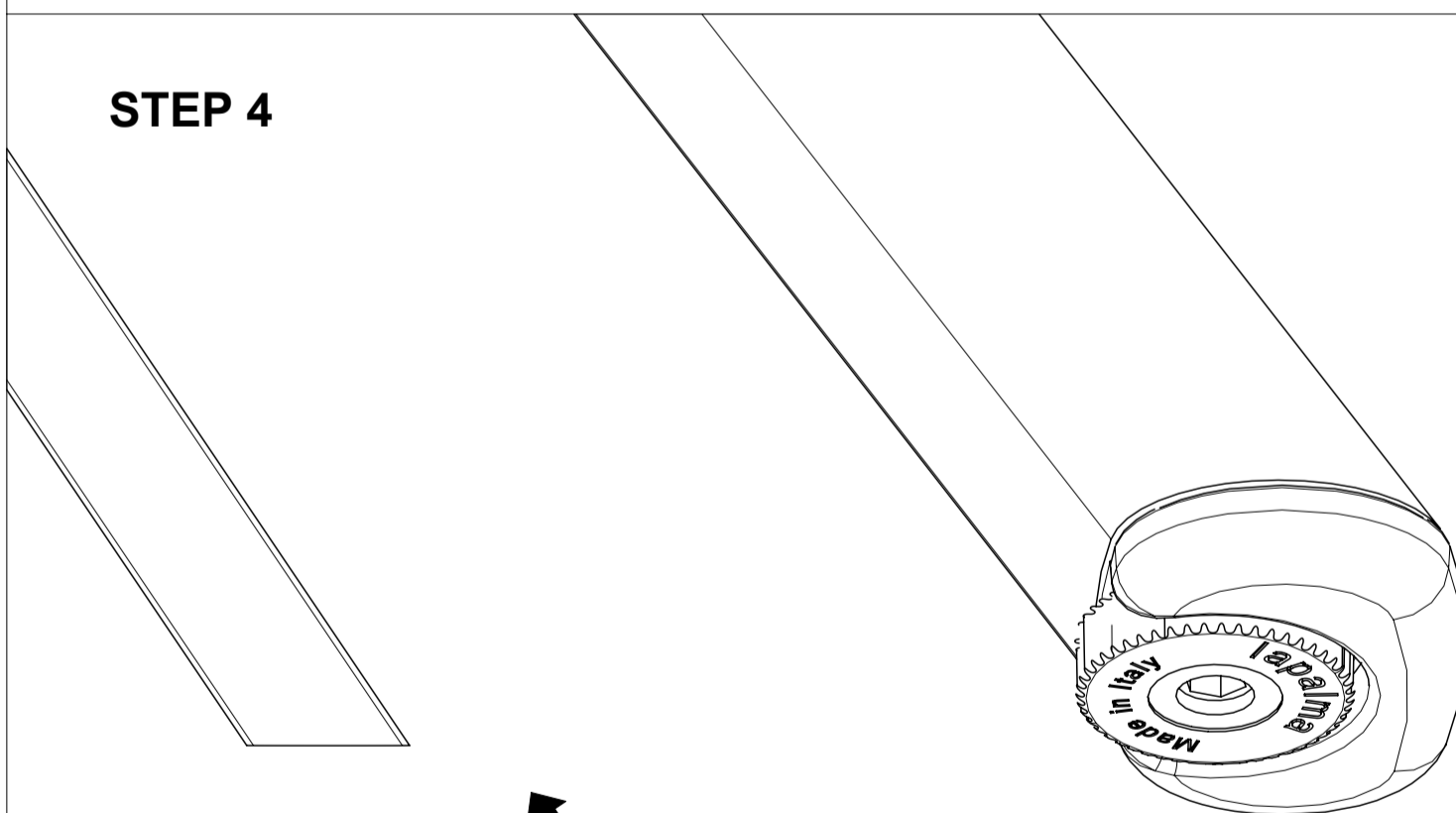
## STEP 3



FIX THE LEG WITH A M8 HEX NUT



## STEP 4



HIT WITH A  
RUBBER HAMMER

REPEAT STEP 1-2-3-4 FOR EACH LEG

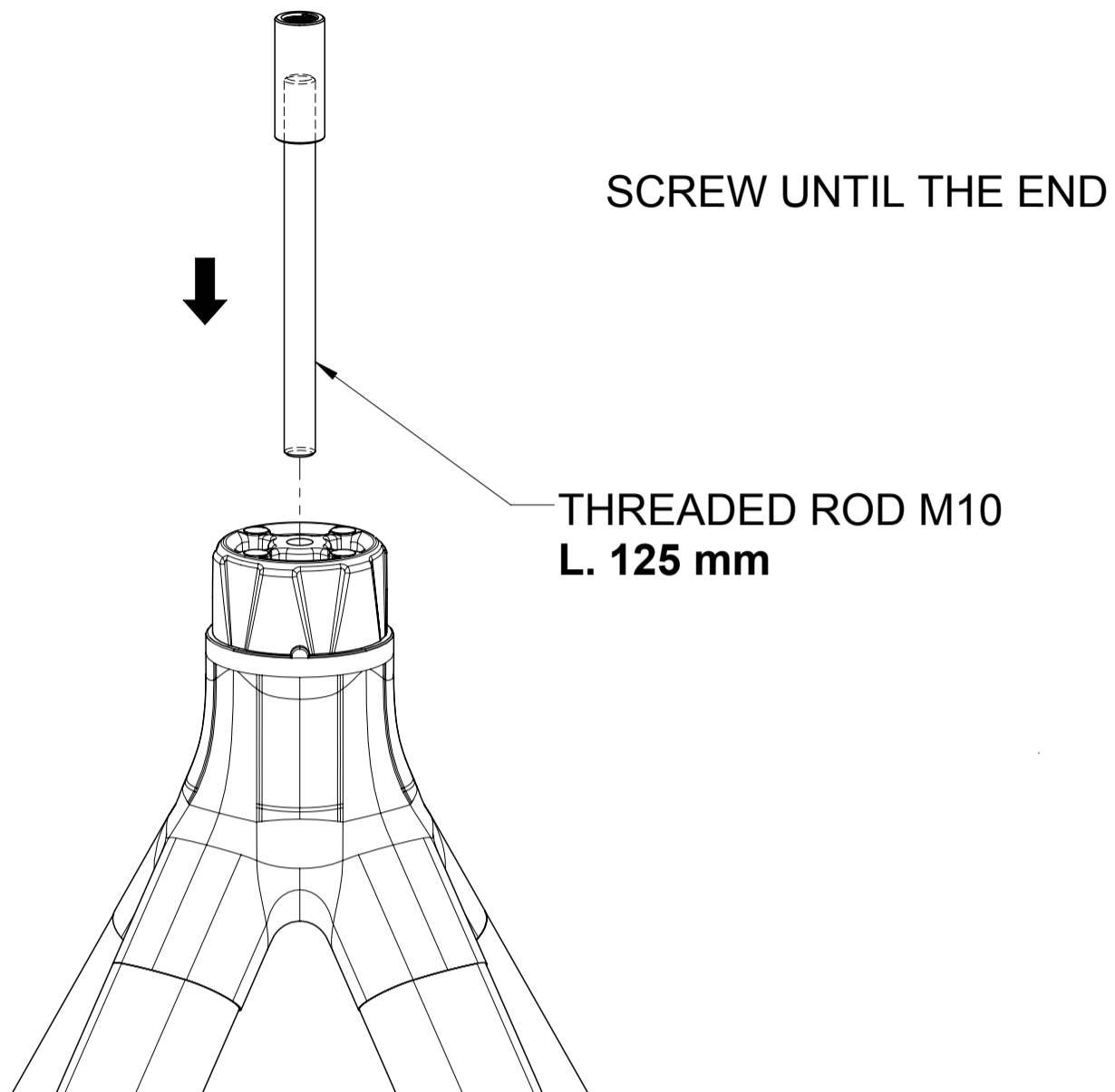
**lapalma**

www.lapalma.it

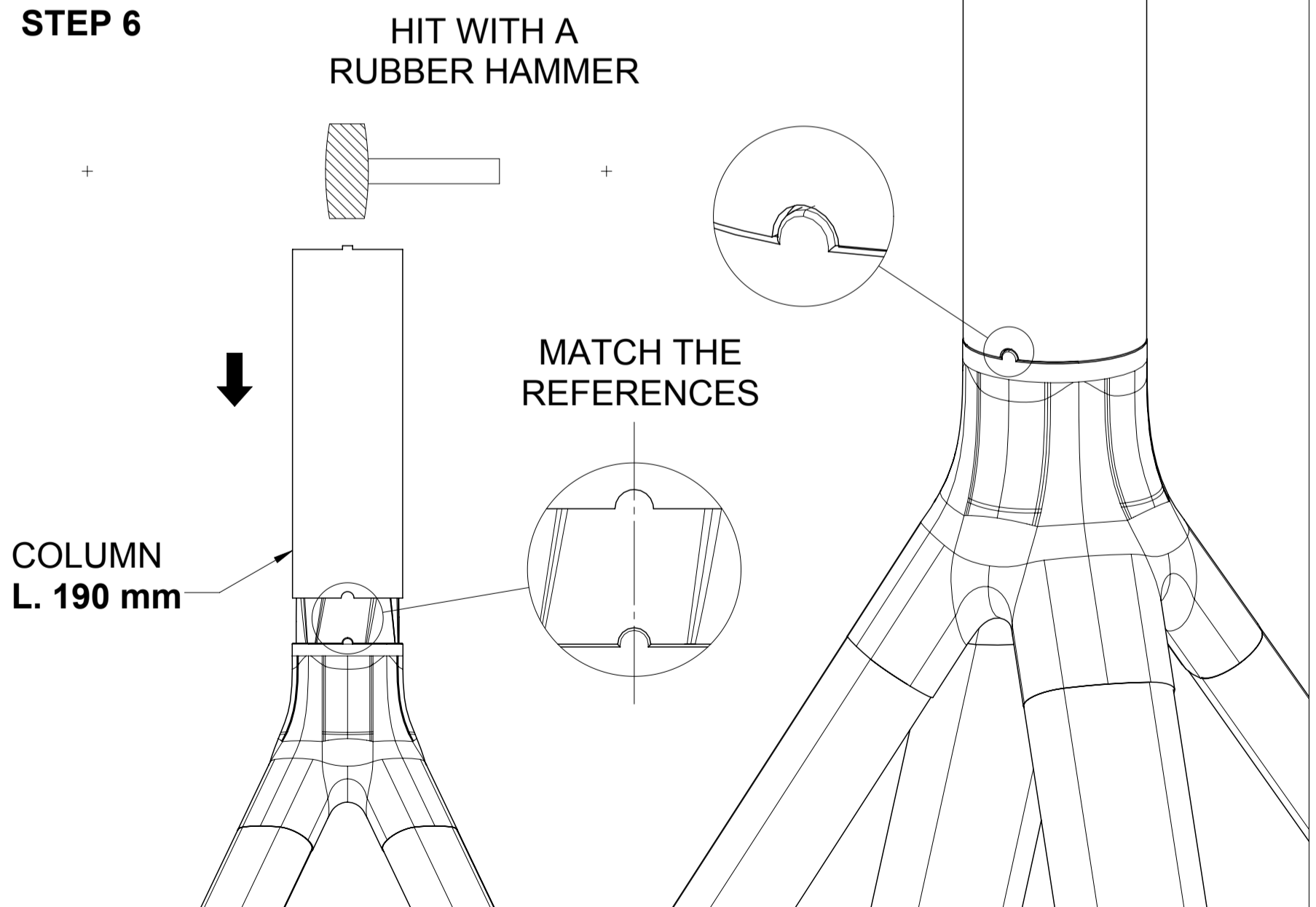
# FORK P120

assembly instructions

## STEP 5



## STEP 6



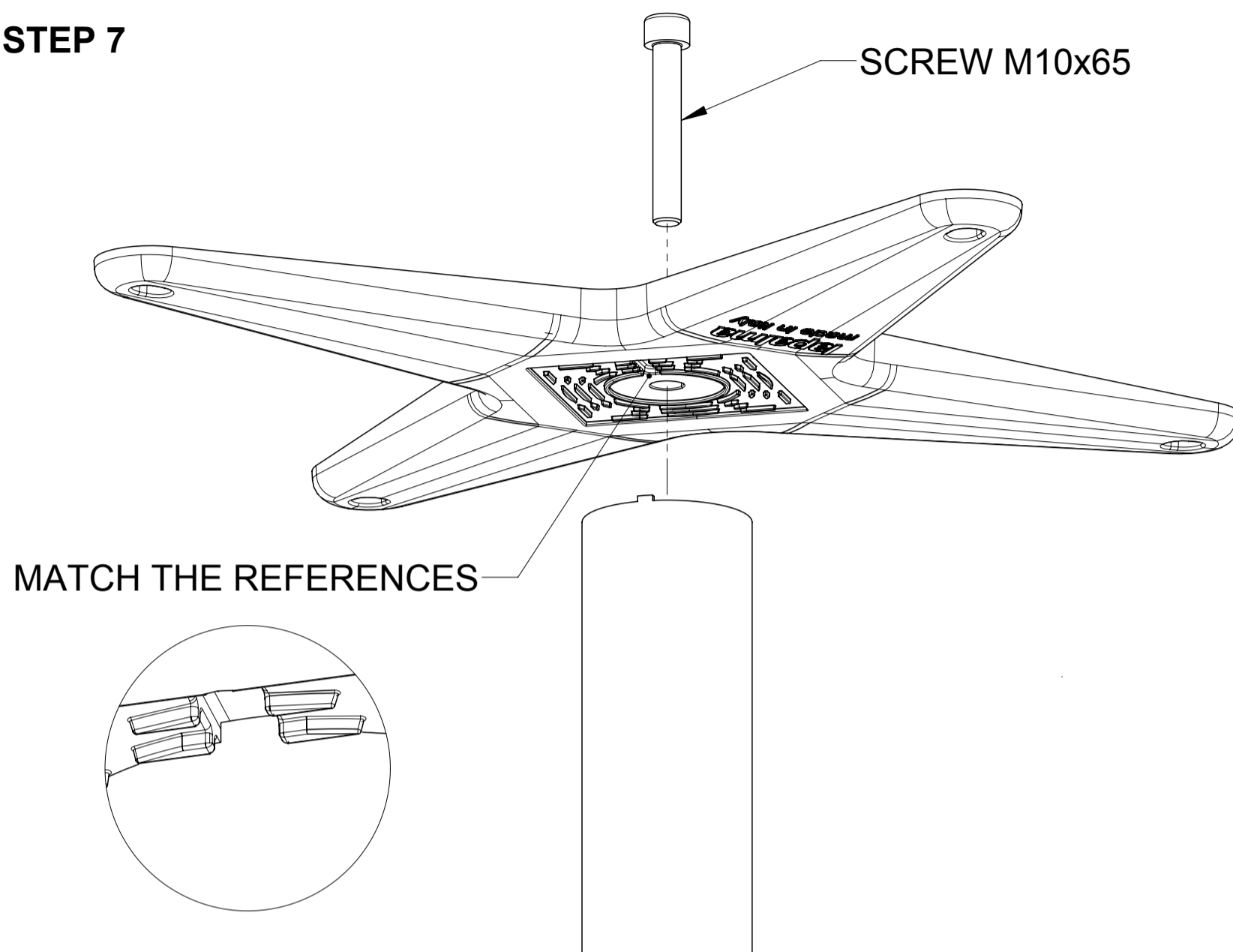
**lapalma**

[www.lapalma.it](http://www.lapalma.it)

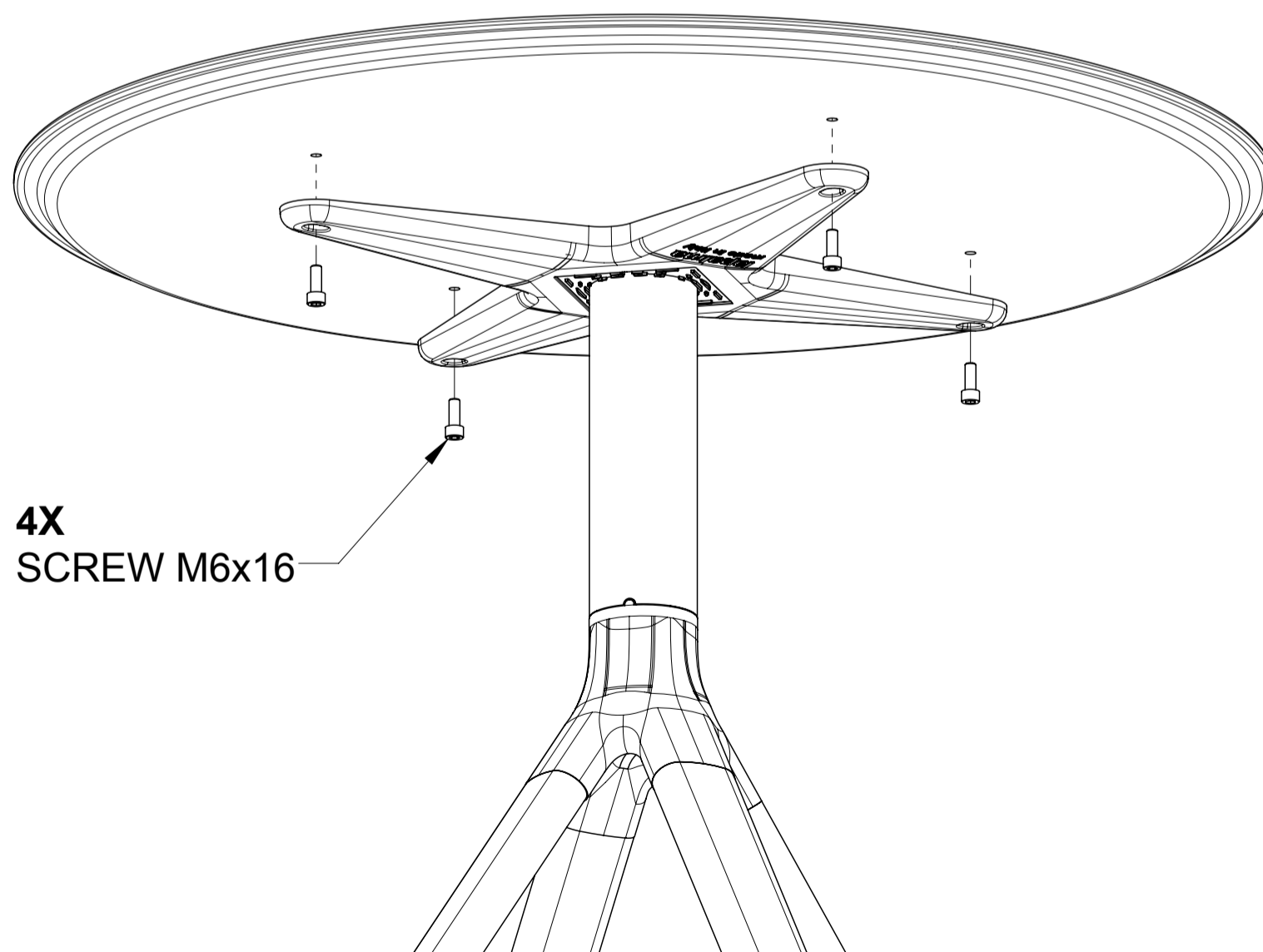
# FORK P120

assembly instructions

## STEP 7



## STEP 8



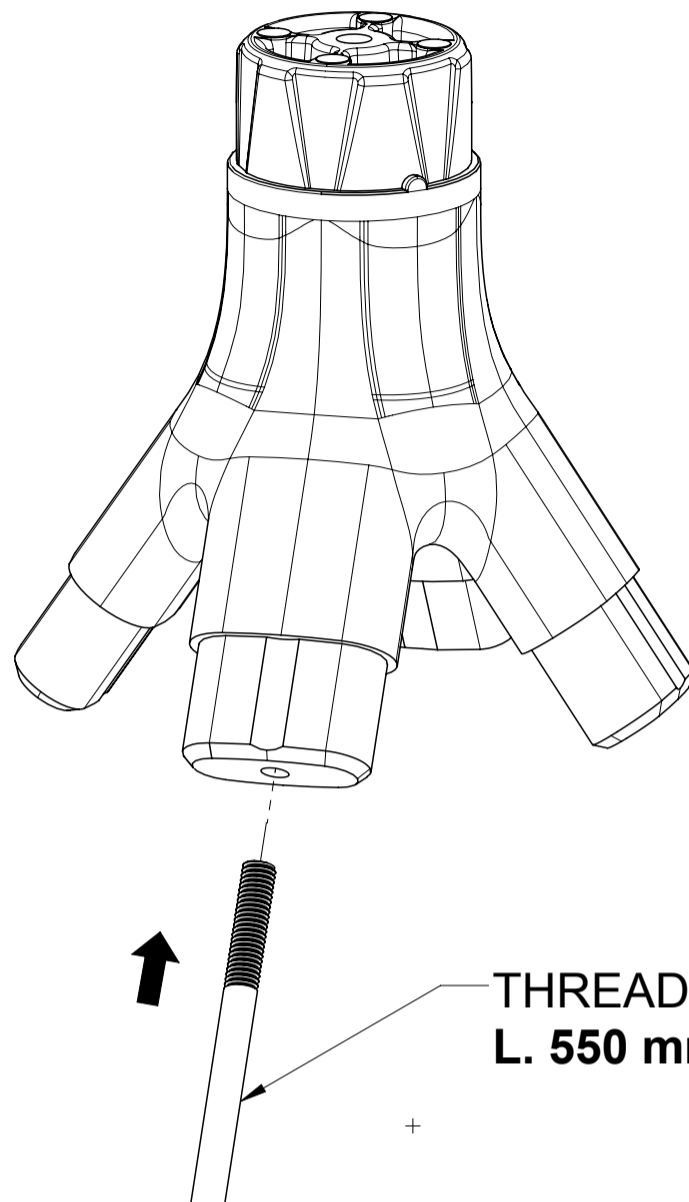
**lapalma**

[www.lapalma.it](http://www.lapalma.it)

# FORK P124

assembly instructions

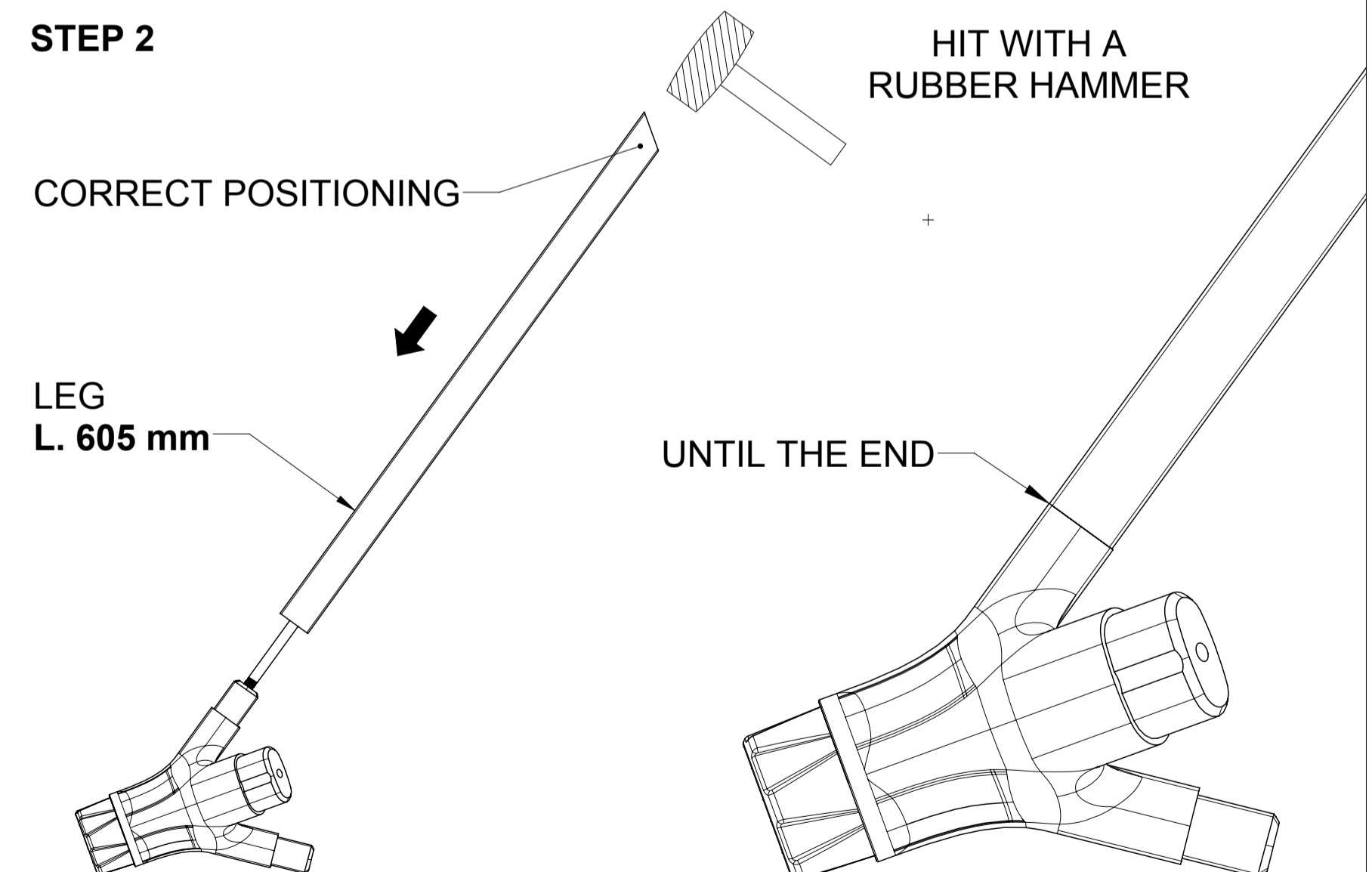
## STEP 1



SCREW UNTIL THE END

THREADED ROD M8  
L. 550 mm

## STEP 2



**lapalma**

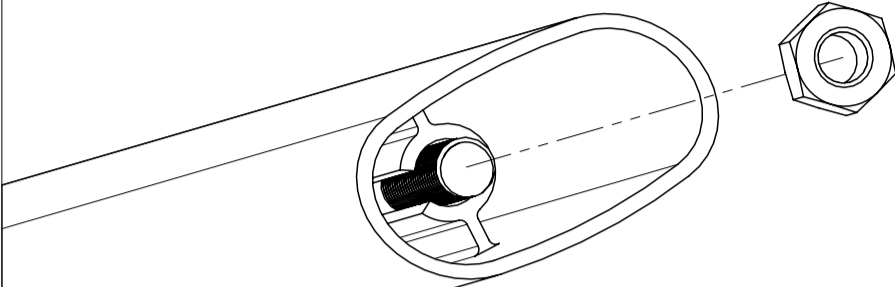
[www.lapalma.it](http://www.lapalma.it)

**ZENITH** /

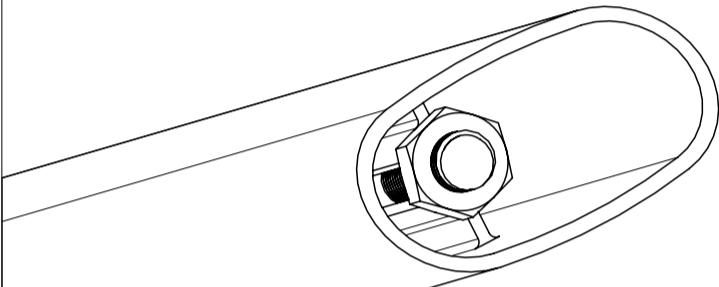
# FORK P124

assembly instructions

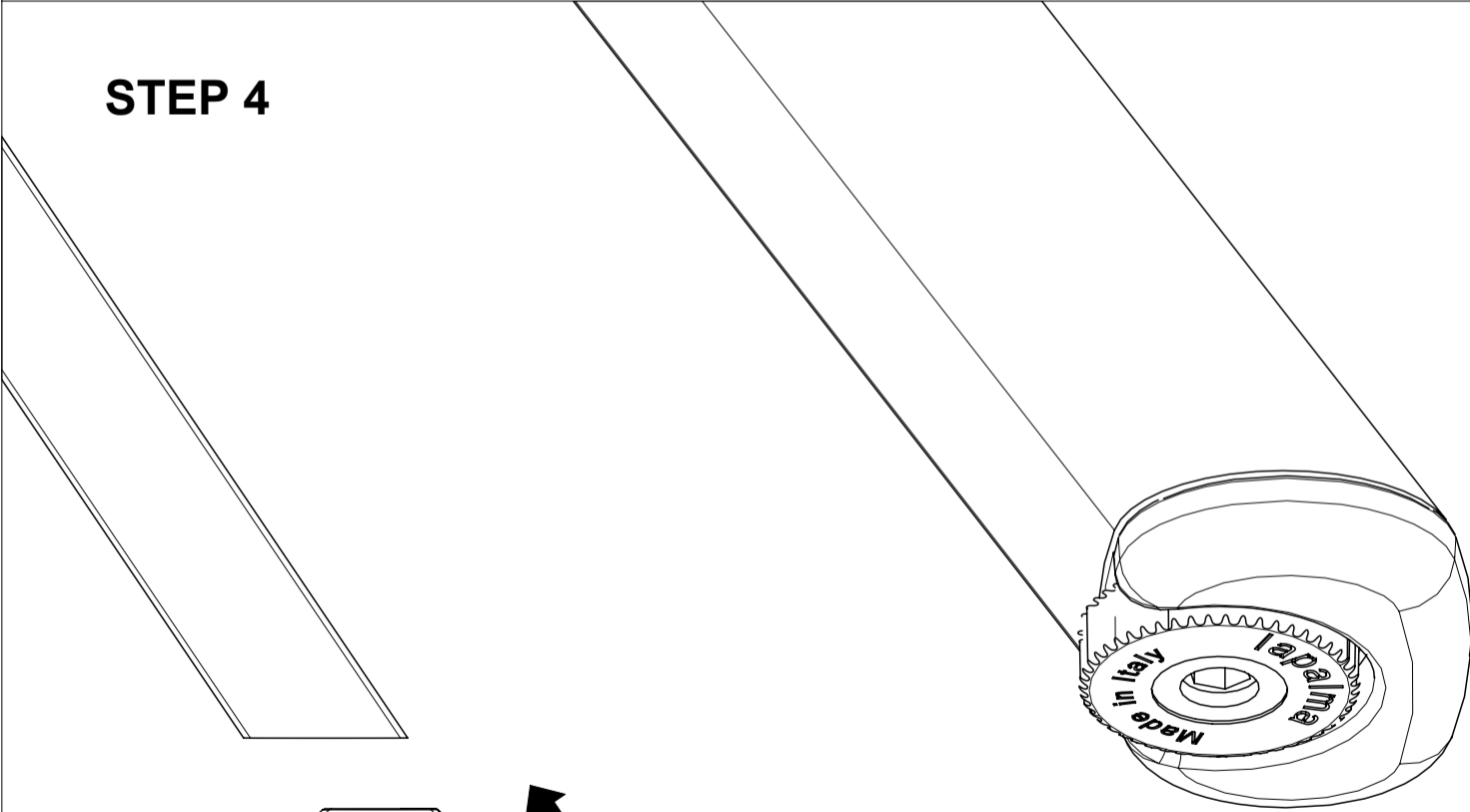
## STEP 3



FIX THE LEG WITH A M8 HEX NUT



## STEP 4



HIT WITH A RUBBER HAMMER

REPEAT STEP 1-2-3-4 FOR EACH LEG

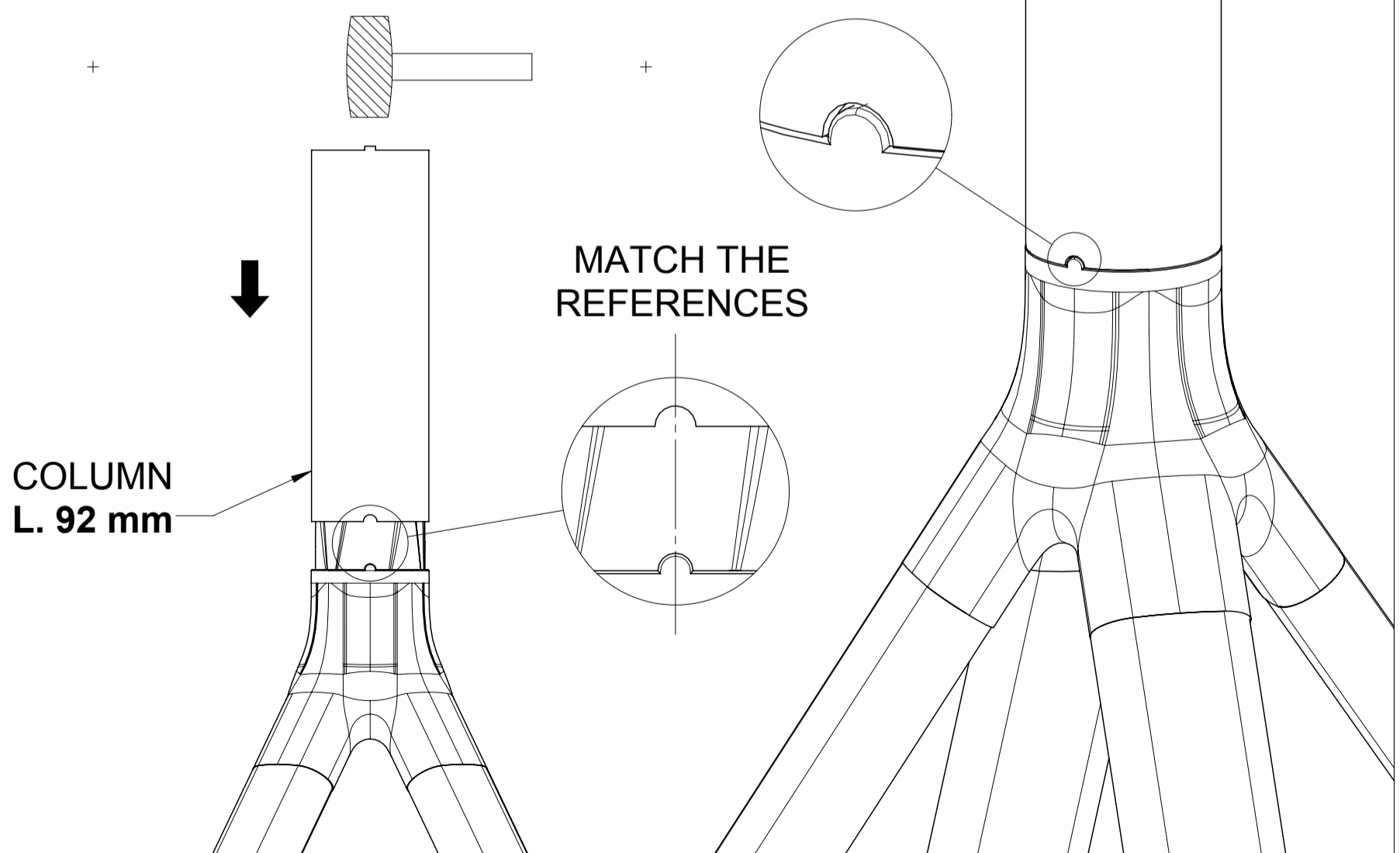
# FORK P124

assembly instructions

**STEP 5**

**STEP 6**

HIT WITH A  
RUBBER HAMMER



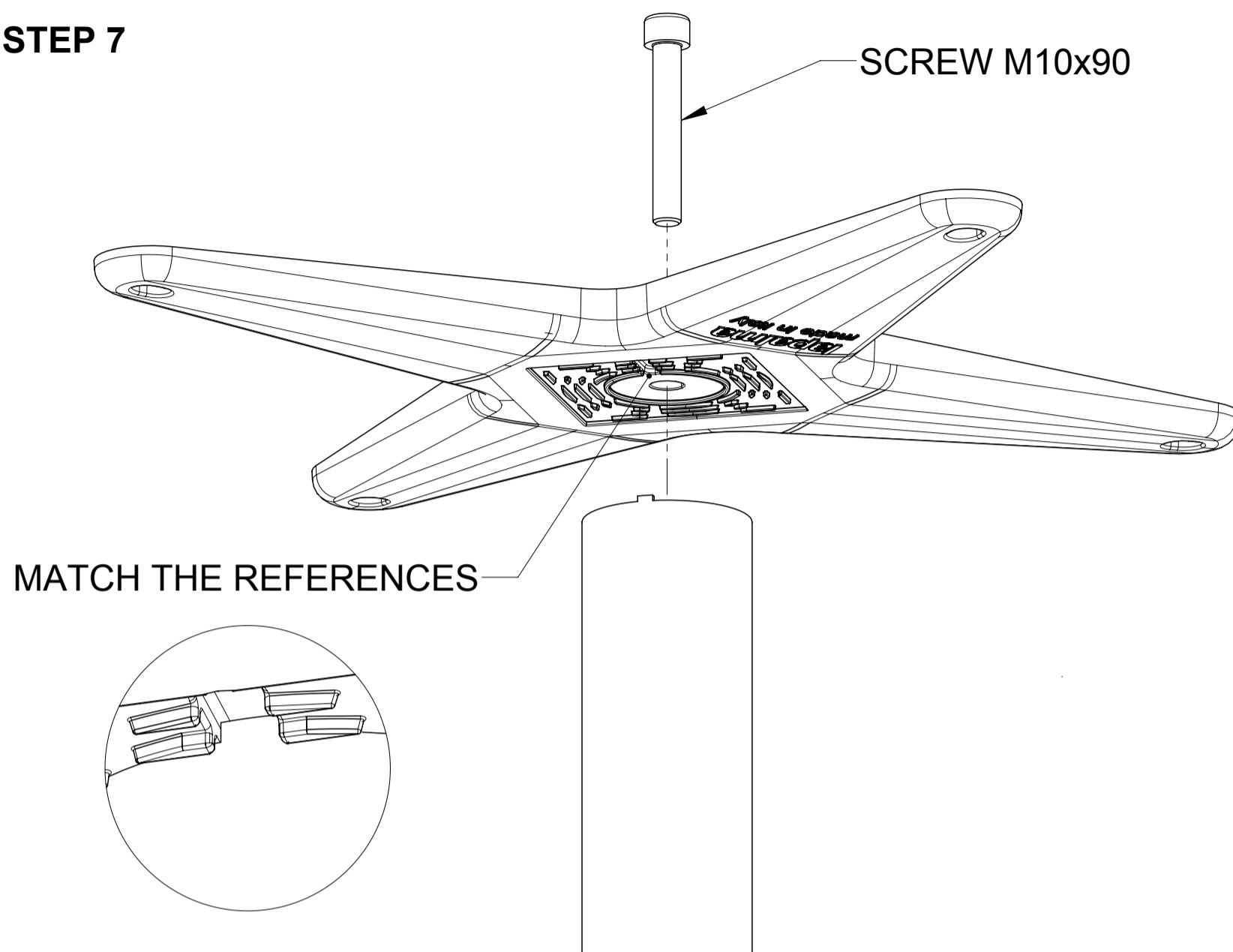
**lapalma**

[www.lapalma.it](http://www.lapalma.it)

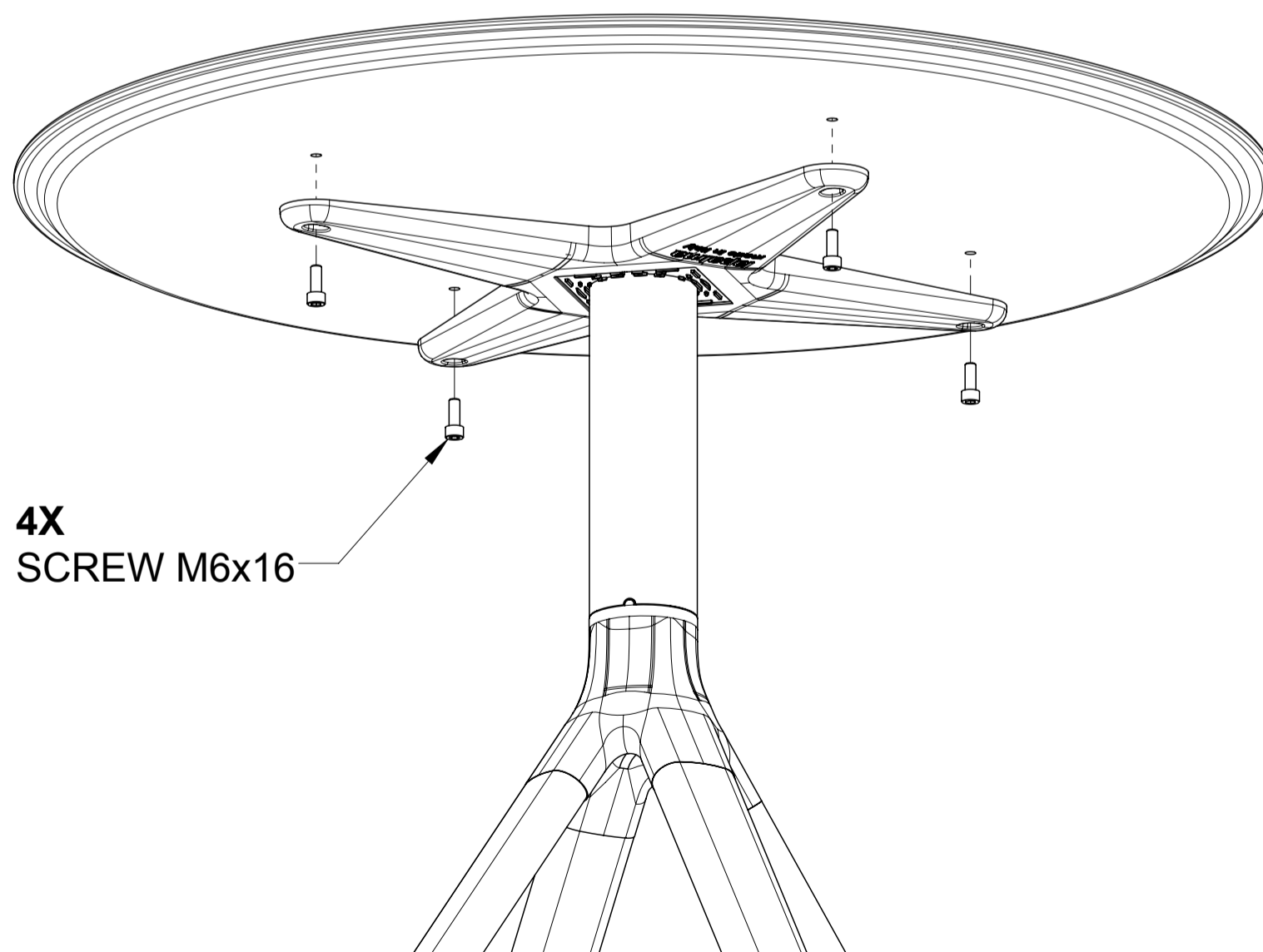
# FORK P124

assembly instructions

## STEP 7



## STEP 8



**lapalma**

[www.lapalma.it](http://www.lapalma.it)