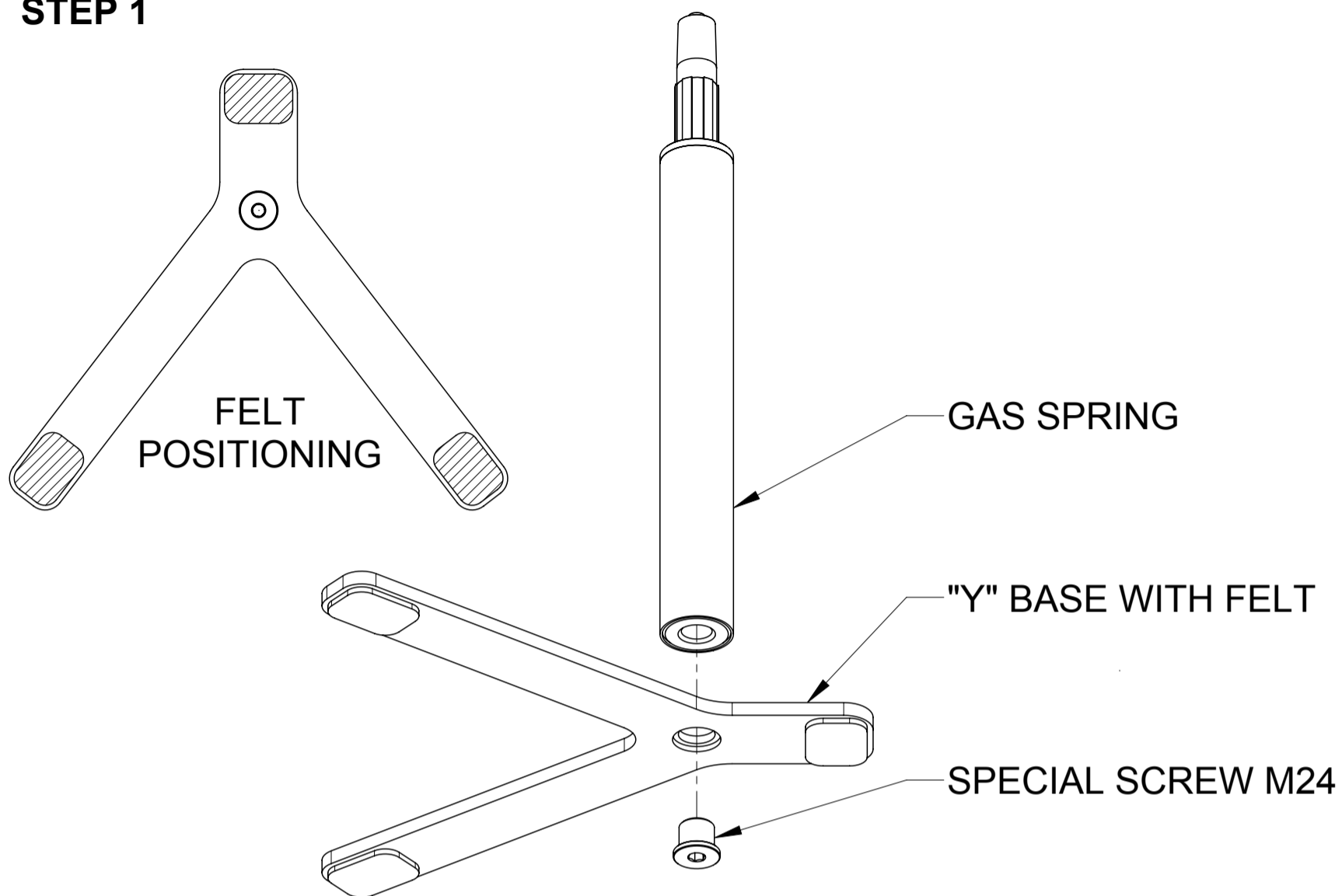


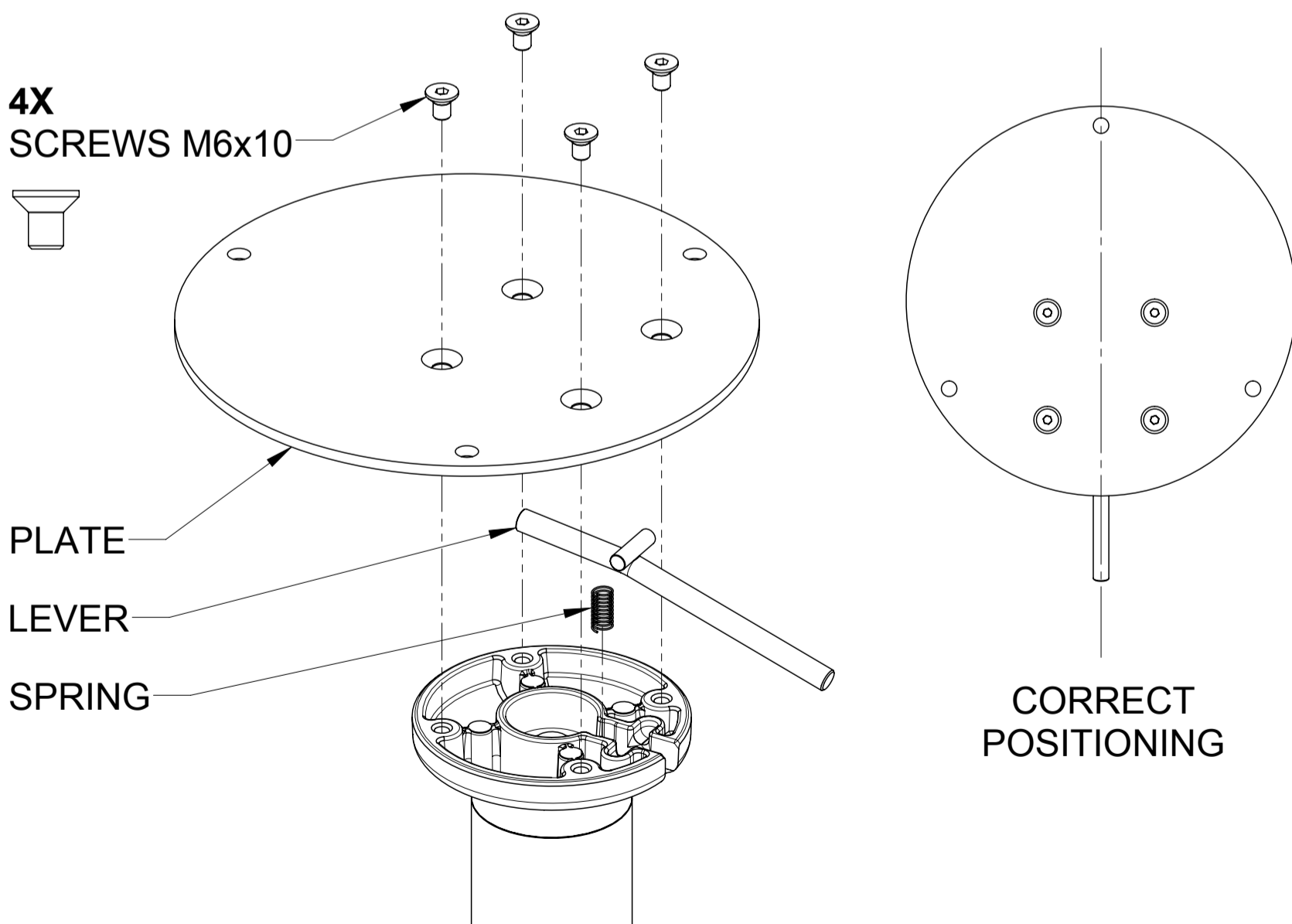
# YO

assembly instructions

## STEP 1



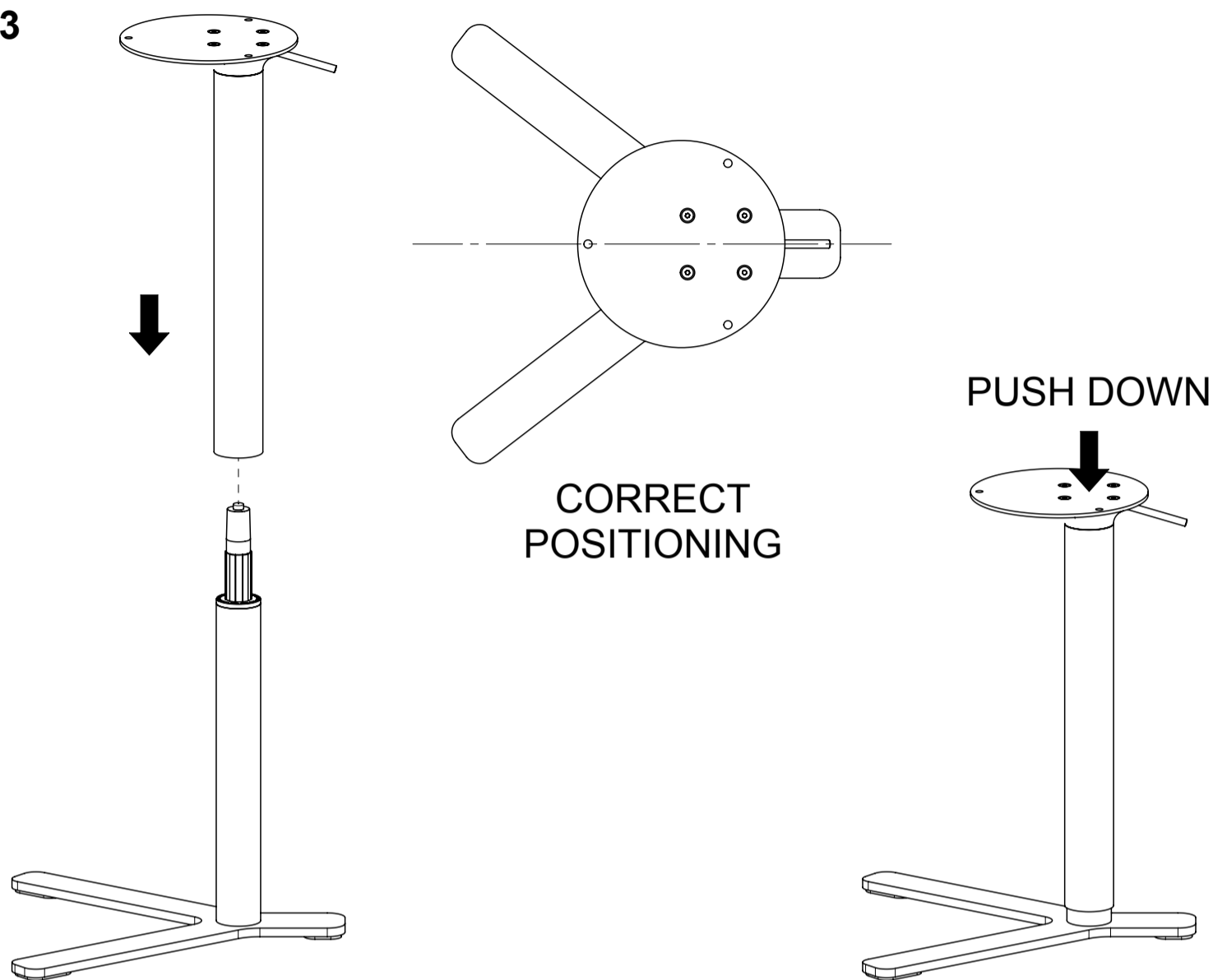
## STEP 2



# YO

assembly instructions

## STEP 3



## STEP 4

