

# Cable Management



## CONTENTS:

|                                       |                    |
|---------------------------------------|--------------------|
| Cable Hub                             | <a href="#">2</a>  |
| Glovebox                              | <a href="#">4</a>  |
| Wire Basket                           | <a href="#">5</a>  |
| Cable Carrier                         | <a href="#">5</a>  |
| Services Mounting Plate               | <a href="#">6</a>  |
| Cable Sleeve                          | <a href="#">7</a>  |
| Cable Tractor                         | <a href="#">8</a>  |
| Cable Cover                           | <a href="#">9</a>  |
| Rectangular Umbilical                 | <a href="#">10</a> |
| 96mm Duct Mounted on Z Bracket        | <a href="#">11</a> |
| 96mm Duct Mounted on Vertical Bracket | <a href="#">11</a> |
| Top Mount Plates                      | <a href="#">12</a> |
| Worktop Mount Duct                    | <a href="#">13</a> |
| Powerblade                            | <a href="#">14</a> |

# Cable Hub – 500mm

## Features:

The Cable Hub has two sets of mounting brackets at each end and can be fixed to the worktop. Please ensure it will not clash with other items fixed underneath the worktop such as table support beams or in-desk boxes.

## Options:

- Cable Hub
- Cable Hub with Cable Sleeve
- Cable Hub with Tractor

## Finishes:

### 100% Recyclable PET:



Mid-Grey

### Powder coated Mounting Brackets:

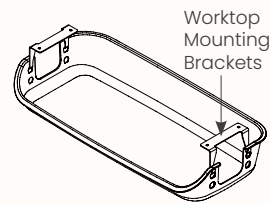


Warm  
Grey



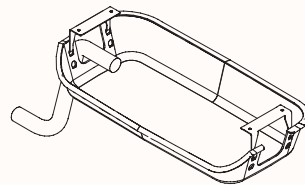
Cool  
Grey

## Dimensions:



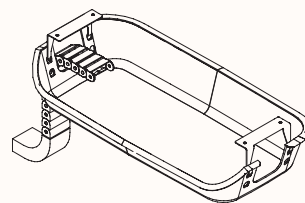
### Cable Hub

|                |                  |
|----------------|------------------|
| Length Range   | 530mm            |
|                | 500mm (Internal) |
| Depth Range    | 250mm            |
| Overall Height | 100mm ; 125mm    |



### Cable Hub with Cable Sleeve

|                |                  |
|----------------|------------------|
| Length Range   | 530mm            |
|                | 500mm (Internal) |
| Depth Range    | 250mm            |
| Overall Height | 100mm ; 125mm    |



### Cable Hub with Tractor

|                |                  |
|----------------|------------------|
| Length Range   | 530mm            |
|                | 500mm (Internal) |
| Depth Range    | 250mm            |
| Overall Height | 100mm ; 125mm    |

# Cable Hub – 950mm

## Features:

The Cable Hub has two sets of mounting brackets at each end and can be fixed to the worktop. Please ensure it will not clash with other items fixed underneath the worktop such as table support beams or in-desk boxes.

## Options:

- Cable Hub
- Cable Hub with cable sleeve
- Cable Hub with Tractor

## Finishes:

### 100% Recyclable PET:



Mid-Grey

### Powder coated Mounting Brackets:

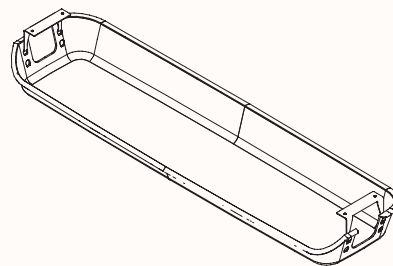


Warm  
Grey



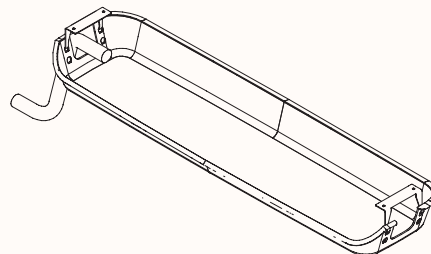
Cool  
Grey

## Dimensions:



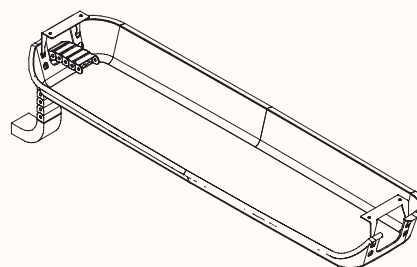
### Cable Hub

|                |                           |
|----------------|---------------------------|
| Length Range   | 980mm<br>950mm (Internal) |
| Depth Range    | 250mm                     |
| Overall Height | 100mm ; 125mm             |



### Cable Hub with Cable Sleeve

|                |                           |
|----------------|---------------------------|
| Length Range   | 980mm<br>950mm (Internal) |
| Depth Range    | 250mm                     |
| Overall Height | 100mm ; 125mm             |



### Cable Hub with Tractor

|                |                           |
|----------------|---------------------------|
| Length Range   | 980mm<br>950mm (Internal) |
| Depth Range    | 250mm                     |
| Overall Height | 100mm ; 125mm             |

# Glovebox

## Glovebox with or without Power Plate

### Features:

The Glovebox is a formed PET cable dump in a fixed size. A low cost and less capacity alternative to the power plate is to order the Glovebox 'without power plate' and then separately order the Services Mount Plate.

### Options:

- Power plate for housing CMS soft wiring sockets

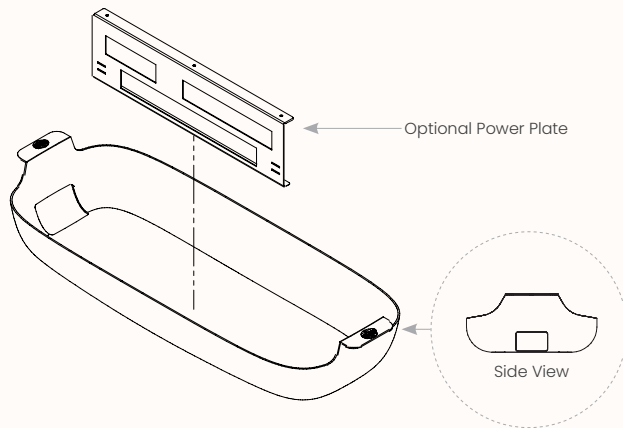
### Finishes:

#### 100% Recyclable PET:



Mid-Grey

### Dimensions:



|                |       |
|----------------|-------|
| Length Range   | 876mm |
| Depth Range    | 325mm |
| Overall Height | 152mm |

# Wire Basket & Cable Carrier

## Wire Basket - 950mm

### Features:

Wire Baskets are made of wire mesh folded into a range of standard basket sizes. The worktop mounting brackets are welded to the mesh and the basket is then powder coated. The basket height/depth depends on the worktop mounting brackets.

### Options:

- Single Sided
- Double Sided

### Finishes:

#### Powder coat:



Black Ace



Warm Grey



Cool Grey

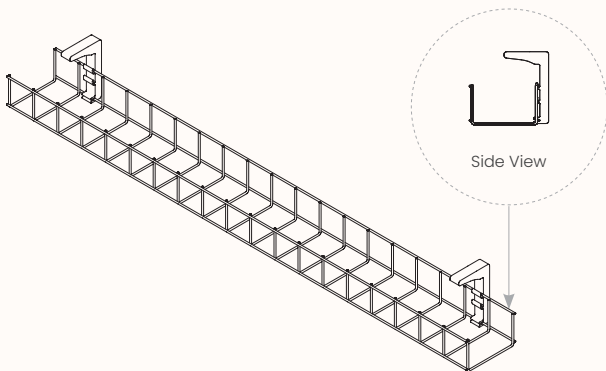


Warm White



Cool White

### Dimensions:



|                |       |
|----------------|-------|
| Length Range   | 950mm |
| Depth Range    | 50mm  |
| Overall Height | 50mm  |

## Cable Carrier - 500mm & 800mm

### Features:

The Cable Carrier consists of an aluminium extrusion and plastic retaining clips. The extrusion fixes to the underside of the worktop and is available in two lengths. Multiple pieces can be used to create longer lengths.

### Finishes:

#### Powder coat:



Black Ace



Warm Grey



Cool Grey

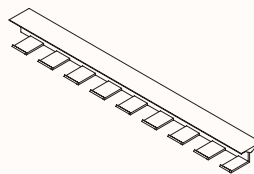


Warm White

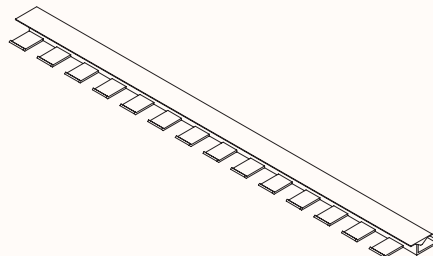


Cool White

### Dimensions:



Length Range 500mm



Length Range 800mm

# Services Mounting Plate

## Features:

The Services Mount Plate is a simple folded sheet metal part to suit required power and data softwiring outlets. The overall plate size is fixed, and are available in two types of plates – dual and quad.

## Options:

- Dual plate fit 2x data and 2x GPO
- Quad plate can fit 2x data and 4x GPO

## Finishes:

### Powder coat:



Black  
Ace



Warm  
Grey



Cool  
Grey

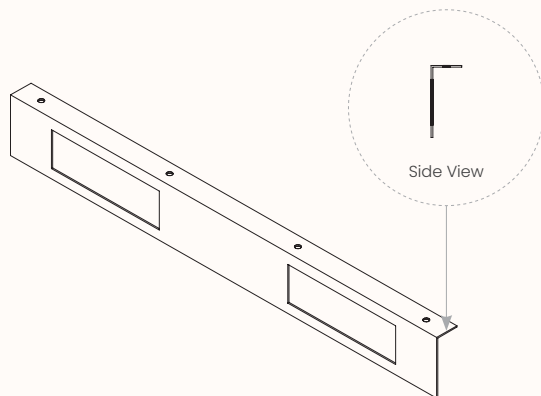


Warm  
White



Cool  
White

## Dimensions:



|                |       |
|----------------|-------|
| Length Range   | 520mm |
| Depth Range    | 25mm  |
| Overall Height | 65mm  |

# Cable Sleeve with ABS

**Features:**

The braided Cable Sleeve cleverly conceals the under desk cabling on all Zenith workstations. Designed with a loop at each end to attach the sleeve to the worktop and ducting or floor. Each sleeve can house a maximum of 2 power and 5 data cables. The Sleeve is a textured fabric with a matching ABS guide. It is located inside the braided Cable Sleeve to stiffen the fabric giving it a more rigid appearance. The ABS strip can be removed if desired.

**Finishes:****Fabric:**

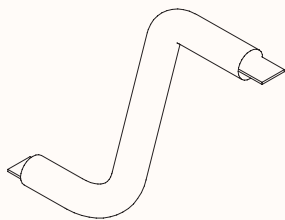
Black



Grey



White

**Dimensions:**

|              |        |
|--------------|--------|
| DIA          | 25mm   |
| Length Range | 1000mm |

# Cable Tractor

## Features:

The Cable Tractor carries cables from the duct to the worktop and is mainly suited to height adjustable desks. It comes with end brackets and fasteners and has no internal segregation.

## Finishes:

### Powder coat:



Black  
Ace

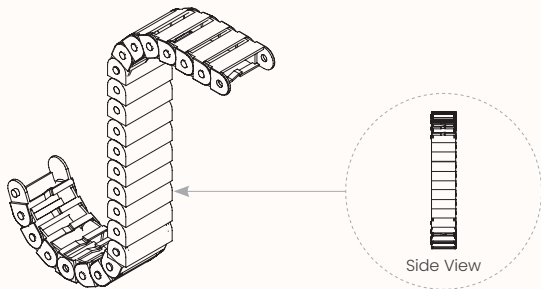


Warm  
White



Cool  
White

## Dimensions:



|                |        |
|----------------|--------|
| Length Range   | 50mm   |
| Depth Range    | 20mm   |
| Overall Height | 1000mm |



# Cable Cover

## Features:

The cable cover carries cables from the floor up the workstation/table leg to the underside of the worktop. Plastic clips are screw-fixed to the leg, and an extruded cover pushes on over the cables.

## Options:

- Can hold up to 3 power cables or 6 data cables

## Finishes:

Plastic Clip: Black Matte

## Powder coat:



Black  
Ace



Warm  
Grey



Cool  
Grey



Warm  
White



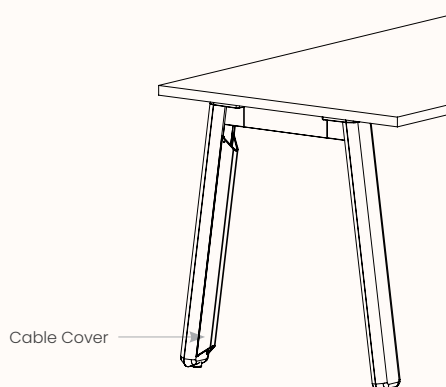
Cool  
White

## Timber:



Oak  
Vinyl

## Dimensions:



|                |  |
|----------------|--|
| Length Range   | 49mm   |
| Depth Range    | 34mm   |
| Overall Height | Calculated to suit table/workstation type & height |

# Rectangular Umbilical

## Features:

The Rectangular Umbilical carries cables from the duct to the worktop and is mainly suited to height adjustable desks. There are two types of mounting brackets to suit different desk systems:

### Rectangular Umbilical – Vertical Cable Management

The Rectangular Umbilical carries cables from the access floor to the worktop and comes with a floor base at one end and a worktop mounting bracket at the other end. The umbilical comes in a variety of lengths to suit different desk applications:

- 750mm L (suits 720 / 750H fixed height desks)
- 900mm L (suits 900H fixed height desks)
- 1050mm L (suits 1050H fixed height desks)
- 1230mm L (suits electric adjust desks)

The umbilical segment is approx. 68mm x 36mm and has internal segregation into 4 compartments.

## Finishes:

### Powder coat:



Black  
Ace



Warm  
Grey



Cool  
Grey

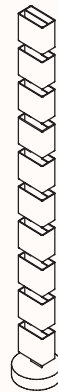


Warm  
White



Cool  
White

## Dimensions:



|                |                          |
|----------------|--------------------------|
| Length Range   | 68mm                     |
| Depth Range    | 36mm                     |
| Overall Height | 750/900/1000/1050/1230mm |

# 96mm Duct Mounted on Z Bracket / Vertical Bracket

## 96mm Duct Mounted on Z Bracket

### Features:

The 96mm Duct can be fixed to the worktop using Z-brackets. The Z-brackets offset the duct to give flexibility in the mounting position and avoid other items under the worktop.

### Finishes:

#### Powder coat:



Black Ace



Warm Grey



Cool Grey

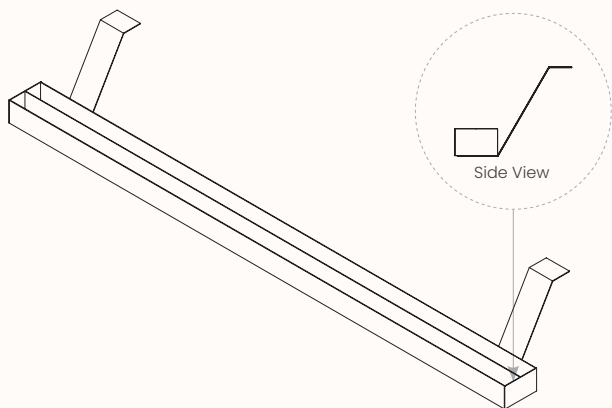


Warm White



Cool White

### Dimensions:



|                |            |
|----------------|------------|
| Length Range   | 500-2700mm |
| Depth Range    | 236mm      |
| Overall Height | 160mm      |

## 96mm Duct Mounted on Vertical Bracket

### Features:

The 96mm Duct can be fixed to the worktop using vertical brackets. The Vertical Brackets provide a smaller footprint and give flexibility in the mounting position and avoid other items under the worktop.

### Finishes:

#### Powder coat:



Black Ace



Warm Grey



Cool Grey

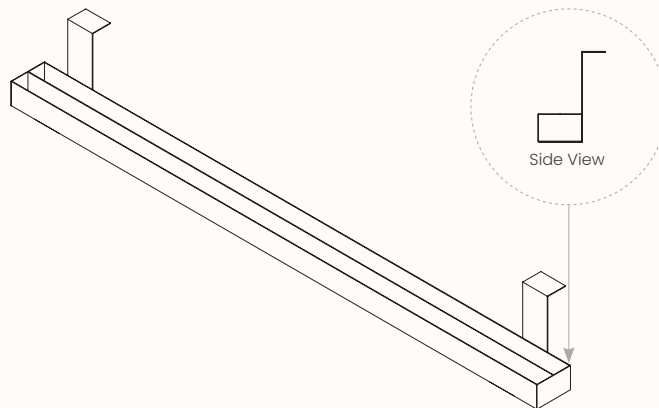


Warm White



Cool White

### Dimensions:



|                |            |
|----------------|------------|
| Length Range   | 500-2700mm |
| Depth Range    | 149mm      |
| Overall Height | 160mm      |

# Top Mount Plates

## Features:

Top Mount Plates are folded sheet metal parts which fix to the underside of the worktop to house power/data outlets. The Top Mount Plates are designed to seamlessly integrate with other cable management products such as the Worktop Mount Duct.

## Finishes:

### Powder coat:



Black  
Ace



Warm  
Grey



Cool  
Grey

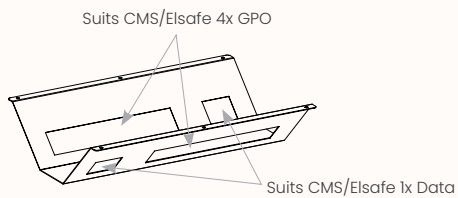


Warm  
White



Cool  
White

## Dimensions:



### CMS/Elsafe

#### Top Mount Plates

|              |       |
|--------------|-------|
| Length Range | 410mm |
| Depth Range  | 284mm |
| Height Range | 90mm  |

# Worktop Mount Duct

## Features:

The Worktop Mount Duct is a simple folded steel cable tray compatible with multiple different power/data requirements and other cable management products such as the Top Mount Plates. The underside of the duct comes with attachment points for an umbilical to the floor.

## Finishes:

### Powder coat:



Black  
Ace



Warm  
Grey



Cool  
Grey

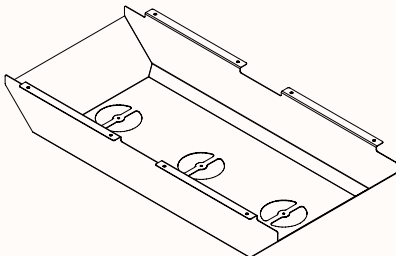


Warm  
White



Cool  
White

## Dimensions:



|                |   |
|----------------|---|
| Length Range   | 660mm                                     |
| Depth Range    | 324mm                                     |
| Overall Height | 110mm to suit CMS/Elsafe top mount plates |

# 96mm Powerblade

## Features:

The 96mm Powerblade carries cables from the access floor to the 96mm Duct. The 96mm Duct can be fixed to the desk frame or the worktop (depending on the desk system). 96mm Powerblades are available in the following types:

- Silhouette 720H or 750H (suits any 96mm duct on Z-brackets or vertical brackets mounted to the worktop – therefore can be used on other desk frames such as Kissen, Epic Plus)

## Finishes:

### Powder coat:



Black  
Ace



Warm  
Grey



Cool  
Grey

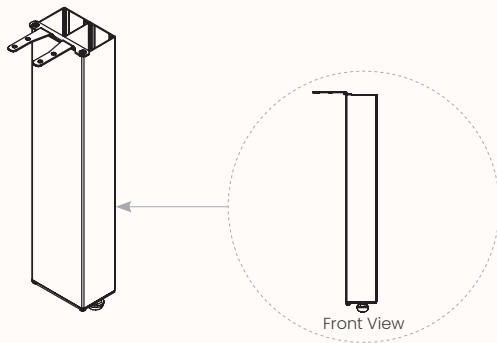


Warm  
White



Cool  
White

## Dimensions:



|                |                                      |
|----------------|--------------------------------------|
| Length Range   | 96mm                                 |
| Depth Range    | 60mm                                 |
| Overall Height | Any height<br>(Floor to workstation) |

# 100 x 30 Powerblade & 100 x 50 Powerblade

## 100 x 30 Powerblade

### Features:

100 x 30 Powerblade is designed to bring cabling in from the ceiling to the workstation. It can be fitted from floor or bottom of screen up to the ceiling. Can be compatible with S30 screen as well.

### Finishes:

#### Powder coat:



Black Ace



Warm Grey



Cool Grey



Warm White



Cool White

### Dimensions:



|                |                                       |
|----------------|---------------------------------------|
| Length Range   | 100mm                                 |
| Depth Range    | 30mm                                  |
| Overall Height | Any height<br>(Can go to the ceiling) |

## 100 x 50 Powerblade

### Features:

100 x 50 Powerblade is designed to bring cabling in from the ceiling to the workstation. It can be fitted from floor or bottom of screen up to the ceiling. Can be compatible with S50 screen as well.

### Finishes:

#### Powder coat:



Black Ace



Warm Grey



Cool Grey



Warm White



Cool White

### Dimensions:



|                |                                       |
|----------------|---------------------------------------|
| Length Range   | 100mm                                 |
| Depth Range    | 50mm                                  |
| Overall Height | Any height<br>(Can go to the ceiling) |