

# Cable Management



## CONTENTS:

Cable Hub	<a href="#">2</a>
Glovebox	<a href="#">4</a>
Wire Basket	<a href="#">5</a>
Cable Carrier	<a href="#">5</a>
Services Mounting Plate	<a href="#">6</a>
Cable Sleeve	<a href="#">7</a>
Cable Tractor	<a href="#">8</a>
Cable Cover	<a href="#">9</a>
Rectangular Umbilical	<a href="#">10</a>
96mm Duct Mounted on Z Bracket	<a href="#">11</a>
96mm Duct Mounted on Vertical Bracket	<a href="#">11</a>
Powerblade	<a href="#">12</a>

# Cable Hub – 500mm

## Features:

The Cable Hub has two sets of mounting brackets at each end and can be fixed to the worktop. Please ensure it will not clash with other items fixed underneath the worktop such as table support beams or in-desk boxes.

## Options:

- Cable Hub
- Cable Hub with Cable Sleeve
- Cable Hub with Tractor

## Finishes:

### 100% Recyclable PET:



Mid-Grey

### Powder coated Mounting Brackets:

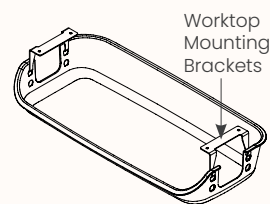


Warm  
Grey



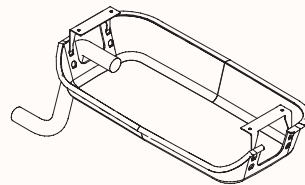
Cool  
Grey

## Dimensions:



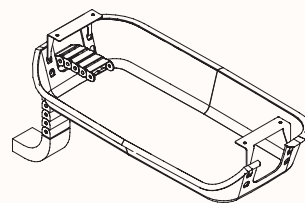
### Cable Hub

Length Range	530mm
	500mm (Internal)
Depth Range	250mm
Overall Height	100mm ; 125mm



### Cable Hub with Cable Sleeve

Length Range	530mm
	500mm (Internal)
Depth Range	250mm
Overall Height	100mm ; 125mm



### Cable Hub with Tractor

Length Range	530mm
	500mm (Internal)
Depth Range	250mm
Overall Height	100mm ; 125mm

# Cable Hub – 950mm

## Features:

The Cable Hub has two sets of mounting brackets at each end and can be fixed to the worktop. Please ensure it will not clash with other items fixed underneath the worktop such as table support beams or in-desk boxes.

## Options:

- Cable Hub
- Cable Hub with cable sleeve
- Cable Hub with Tractor

## Finishes:

### 100% Recyclable PET:



Mid-Grey

### Powder coated Mounting Brackets:

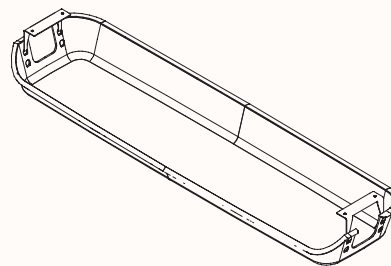


Warm  
Grey



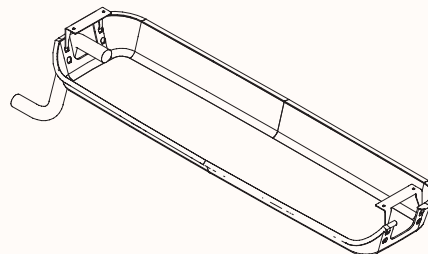
Cool  
Grey

## Dimensions:



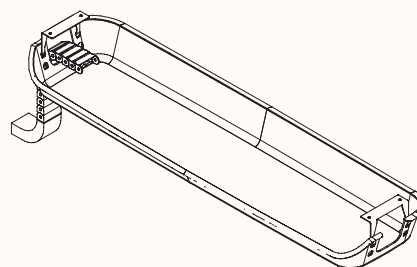
### Cable Hub

Length Range	980mm 950mm (Internal)
Depth Range	250mm
Overall Height	100mm ; 125mm



### Cable Hub with Cable Sleeve

Length Range	980mm 950mm (Internal)
Depth Range	250mm
Overall Height	100mm ; 125mm



### Cable Hub with Tractor

Length Range	980mm 950mm (Internal)
Depth Range	250mm
Overall Height	100mm ; 125mm

# Glovebox

## Glovebox with or without Power Plate

### Features:

The Glovebox is a formed PET cable dump in a fixed size. A low cost and less capacity alternative to the power plate is to order the Glovebox 'without power plate' and then separately order the Services Mount Plate.

### Options:

- Power plate for housing CMS soft wiring sockets

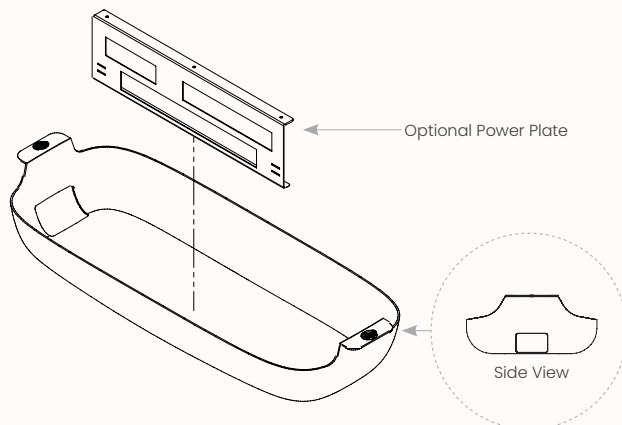
### Finishes:

#### 100% Recyclable PET:



Mid-Grey

### Dimensions:



Length Range	876mm
Depth Range	325mm
Overall Height	152mm

# Wire Basket & Cable Carrier

## Wire Basket - 950mm

### Features:

Wire Baskets are made of wire mesh folded into a range of standard basket sizes. The worktop mounting brackets are welded to the mesh and the basket is then powder coated. The basket height/depth depends on the worktop mounting brackets.

### Options:

- Single Sided
- Double Sided

### Finishes:

#### Powder coat:



Black Ace



Warm Grey



Cool Grey

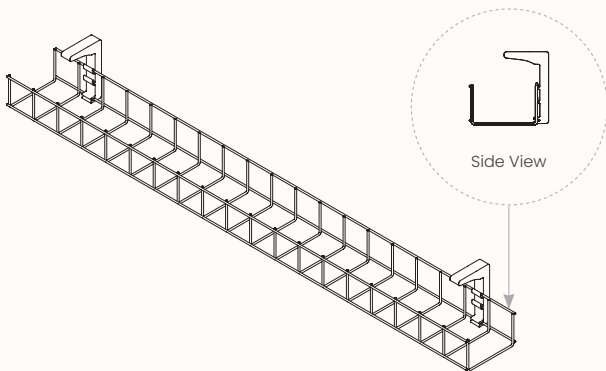


Warm White



Cool White

### Dimensions:



Length Range      950mm  
 Depth Range      50mm  
 Overall Height    50mm

## Cable Carrier - 500mm & 800mm

### Features:

The Cable Carrier consists of an aluminium extrusion and plastic retaining clips. The extrusion fixes to the underside of the worktop and is available in two lengths. Multiple pieces can be used to create longer lengths.

### Finishes:

#### Powder coat:



Black Ace



Warm Grey



Cool Grey

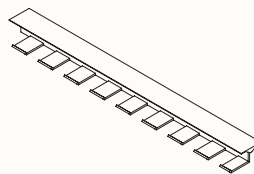


Warm White

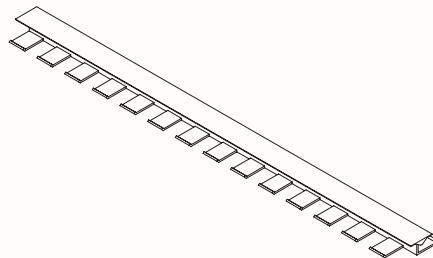


Cool White

### Dimensions:



Length Range      500mm



Length Range      800mm

# Services Mounting Plate

## Features:

The Services Mount Plate is a simple folded sheet metal part to suit required power and data softwiring outlets. The overall plate size is fixed, and are available in two types of plates – dual and quad.

## Options:

- Dual plate fit 2x data and 2x GPO
- Quad plate can fit 2x data and 4x GPO

## Finishes:

### Powder coat:



Black  
Ace



Warm  
Grey



Cool  
Grey

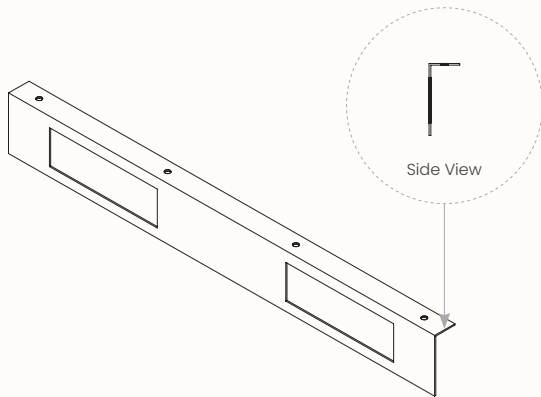


Warm  
White



Cool  
White

## Dimensions:



Length Range	520mm
Depth Range	25mm
Overall Height	65mm

# Cable Sleeve with ABS

## Features:

The braided Cable Sleeve cleverly conceals the under desk cabling on all Zenith workstations. Designed with a loop at each end to attach the sleeve to the worktop and ducting or floor. Each sleeve can house a maximum of 2 power and 5 data cables. The Sleeve is a textured fabric with a matching ABS guide. It is located inside the braided Cable Sleeve to stiffen the fabric giving it a more rigid appearance. The ABS strip can be removed if desired.

## Finishes:

### Fabric:



Black

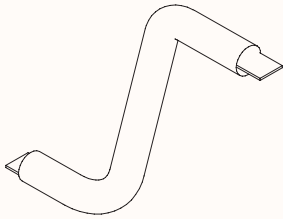


Grey



White

## Dimensions:



DIA	25mm
Length Range	1000mm

# Cable Tractor

## Features:

The Cable Tractor carries cables from the duct to the worktop and is mainly suited to height adjustable desks. It comes with end brackets and fasteners and has no internal segregation.

## Finishes:

### Powder coat:



Black  
Ace

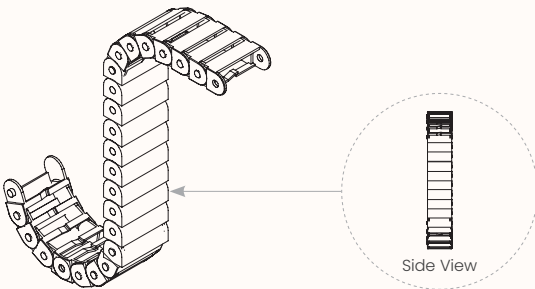


Warm  
White



Cool  
White

## Dimensions:



Length Range	50mm
Depth Range	20mm
Overall Height	1000mm



# Cable Cover

## Features:

The cable cover carries cables from the floor up the workstation/table leg to the underside of the worktop. Plastic clips are screw-fixed to the leg, and an extruded cover pushes on over the cables.

## Options:

- Can hold up to 3 power cables or 6 data cables

## Finishes:

Plastic Clip: Black Matte

## Powder coat:



Black  
Ace



Warm  
Grey



Cool  
Grey



Warm  
White



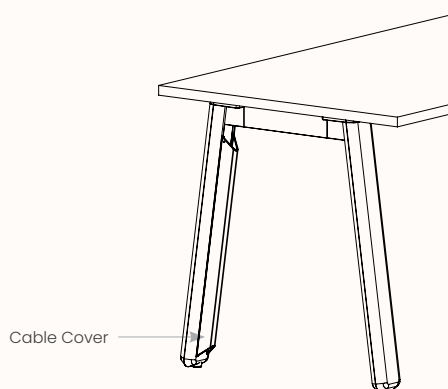
Cool  
White

## Timber:



Oak  
Vinyl

## Dimensions:



Length Range	49mm
Depth Range	34mm
Overall Height	Calculated to suit table/workstation type & height less than 900mm

# Rectangular Umbilical

## Features:

The Rectangular Umbilical carries cables from the duct to the worktop and is mainly suited to height adjustable desks. There are two types of mounting brackets to suit different desk systems:

### Rectangular Umbilical – Vertical Cable Management

The Rectangular Umbilical carries cables from the access floor to the worktop and comes with a floor base at one end and a worktop mounting bracket at the other end. The umbilical comes in a variety of lengths to suit different desk applications:

- 750mm L (suits 720 / 750H fixed height desks)
- 900mm L (suits 900H fixed height desks)
- 1050mm L (suits 1050H fixed height desks)
- 1230mm L (suits electric adjust desks)

The umbilical segment is approx. 68mm x 36mm and has internal segregation into 4 compartments.

## Finishes:

### Powder coat:



Black  
Ace



Warm  
Grey



Cool  
Grey

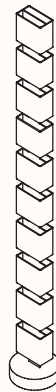


Warm  
White



Cool  
White

## Dimensions:



Length Range	68mm
Depth Range	36mm
Overall Height	750/900/1000/1050/1230mm

# 96mm Duct Mounted on Z Bracket / Vertical Bracket

## 96mm Duct Mounted on Z Bracket

### Features:

The 96mm Duct can be fixed to the worktop using Z-brackets. The Z-brackets offset the duct to give flexibility in the mounting position and avoid other items under the worktop.

### Finishes:

#### Powder coat:



Black Ace



Warm Grey



Cool Grey

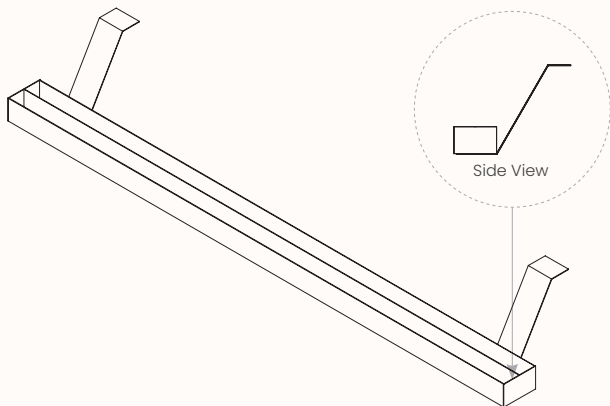


Warm White



Cool White

### Dimensions:



Length Range	500-2700mm
Depth Range	236mm
Overall Height	160mm

## 96mm Duct Mounted on Vertical Bracket

### Features:

The 96mm Duct can be fixed to the worktop using vertical brackets. The Vertical Brackets provide a smaller footprint and give flexibility in the mounting position and avoid other items under the worktop.

### Finishes:

#### Powder coat:



Black Ace



Warm Grey



Cool Grey

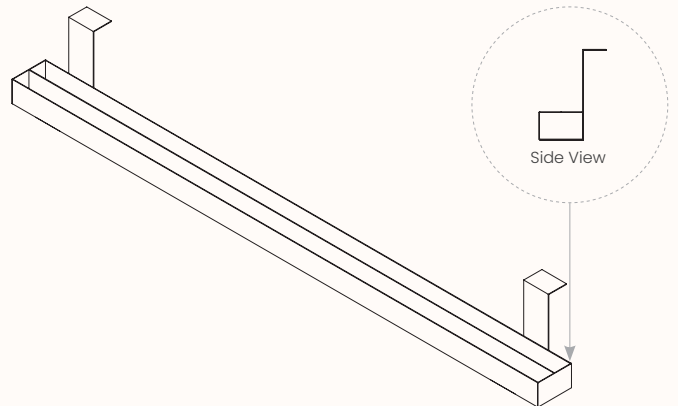


Warm White



Cool White

### Dimensions:



Length Range	500-2700mm
Depth Range	149mm
Overall Height	160mm

# 100 x 30 Powerblade & 100 x 50 Powerblade

## 100 x 30 Powerblade

### Features:

100 x 30 Powerblade is designed to bring cabling in from the ceiling to the workstation. It can be fitted from floor or bottom of screen up to the ceiling. Can be compatible with S30 screen as well.

### Finishes:

#### Powder coat:



Black Ace



Warm Grey



Cool Grey



Warm White



Cool White

### Dimensions:



Length Range 100mm  
Depth Range 30mm  
Overall Height Any height  
(Can go to the ceiling)

## 100 x 50 Powerblade

### Features:

100 x 50 Powerblade is designed to bring cabling in from the ceiling to the workstation. It can be fitted from floor or bottom of screen up to the ceiling. Can be compatible with S50 screen as well.

### Finishes:

#### Powder coat:



Black Ace



Warm Grey



Cool Grey



Warm White



Cool White

### Dimensions:



Length Range 100mm  
Depth Range 50mm  
Overall Height Any height  
(Can go to the ceiling)