

PRECINCT POD

Fixed Height



Features:

Precinct is a modular panel system with the ability to create a variety of workspaces, ranging from open and collaborative to privacy and focus. The simple panel system is available in a range of predefined options with adjustable glides. Precinct can be equipped with power and is available in a variety of fabrics and worktop finishes.

Configurations:

- Precinct Open
 - Single
 - Run
 - Back to Back
- Precinct Enclosed
 - Single
 - Side by Side
 - Facing
- Precinct Alternate Run
 - With Fixed Worktop
 - With Seating
- Precinct Tile
- Precinct Arrow
- Precinct Wave

Cable Management Options:

- Precinct fabric cable sleeve to floor with matching fabric to panel
- Umbilicals
- Grommet available except for Alternate Run with Seating

Design: ZENITH DESIGN STUDIO

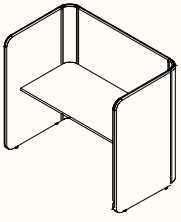
Warranty: 5 years

Certification: GECA

Finishes:

Single or two tone upholstery in commercially approved fabrics, refer to ZENITH House Fabric & Leather Specification Worktops in 25mm Laminate or Veneer

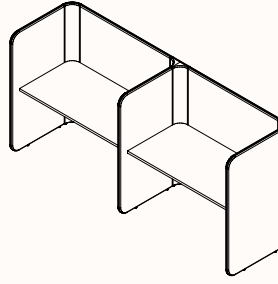
Precinct Open



Single

OW	1070mm	Worktop W	1000mm
	1270mm		1200mm
	1470mm		1400mm
	1670mm		1600mm
	1870mm		1800mm
OD	735mm	Worktop D	600mm
	835mm		700mm
	935mm		800mm
OH	1200/1375mm	Worktop H	720/1050mm

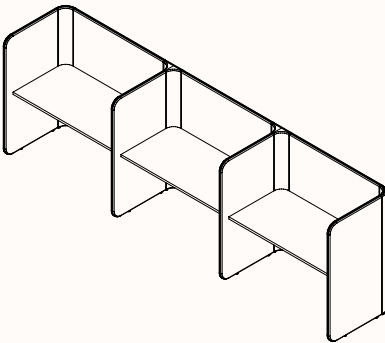
Corner radius of worktop 100mm



Run of 2

OW	2105mm	Worktop W	1000mm
	2505mm		1200mm
	2905mm		1400mm
	3305mm		1600mm
	3705mm		1800mm
OD	735mm	Worktop D	600mm
	835mm		700mm
	935mm		800mm
OH	1200/1375mm	Worktop H	720/1050mm

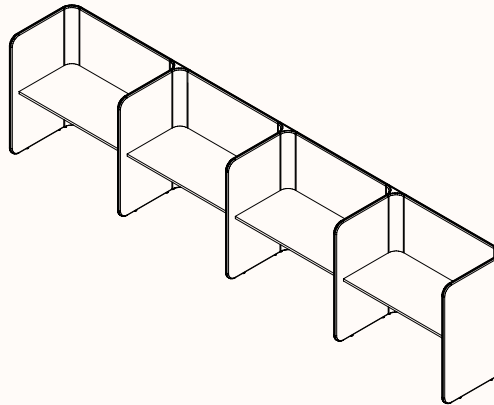
Corner radius of worktop 100mm



Run of 3

OW	3140mm	Worktop W	1000mm
	3740mm		1200mm
	4340mm		1400mm
	4940mm		1600mm
	5540mm		1800mm
OD	735mm	Worktop D	600mm
	835mm		700mm
	935mm		800mm
OH	1200/1375mm	Worktop H	720/1050mm

Corner radius of worktop 100mm



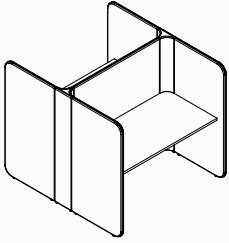
Run of 4

OW	4175mm	Worktop W	1000mm
	4975mm		1200mm
	5775mm		1400mm
	6575mm		1600mm
	7375mm		1800mm
OD	735mm	Worktop D	600mm
	835mm		700mm
	935mm		800mm
OH	1200/1375mm	Worktop H	720/1050mm

Corner radius of worktop 100mm

Note: Support beam is necessary when top is over 1401mmW

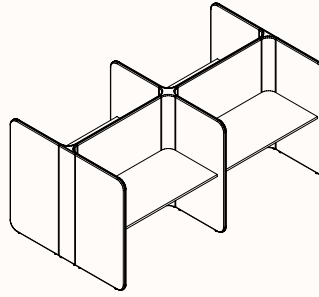
Precinct Open



Back to Back Pod of 2

OW	1070mm	Worktop W	1000mm
	1270mm		1200mm
	1470mm		1400mm
	1670mm		1600mm
	1870mm		1800mm
OD	1435mm	Worktop D	600mm
	1635mm		700mm
	1835mm		800mm
OH	1200/1375mm	Worktop H	720/1050mm

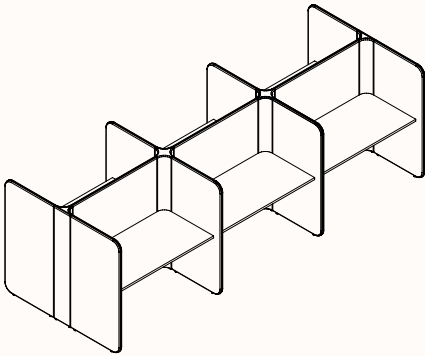
Corner radius of worktop 100mm



Back to Back Pod of 4

OW	2105mm	Worktop W	1000mm
	2505mm		1200mm
	2905mm		1400mm
	3305mm		1600mm
	3705mm		1800mm
OD	1435mm	Worktop D	600mm
	1635mm		700mm
	1835mm		800mm
OH	1200/1375mm	Worktop H	720/1050mm

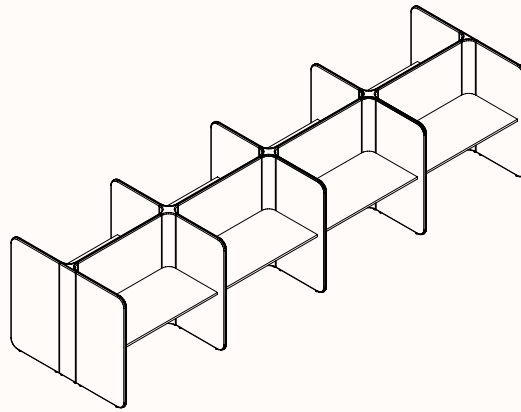
Corner radius of worktop 100mm



Back to Back Pod of 6

OW	3140mm	Worktop W	1000mm
	3740mm		1200mm
	4340mm		1400mm
	4940mm		1600mm
	5540mm		1800mm
OD	1435mm	Worktop D	600mm
	1635mm		700mm
	1835mm		800mm
OH	1200/1375mm	Worktop H	720/1050mm

Corner radius of worktop 100mm



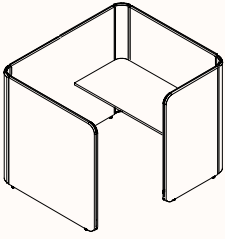
Back to Back Pod of 8

OW	4175mm	Worktop W	1000mm
	4975mm		1200mm
	5775mm		1400mm
	6575mm		1600mm
	7375mm		1800mm
OD	1435mm	Worktop D	600mm
	1635mm		700mm
	1835mm		800mm
OH	1200/1375mm	Worktop H	720/1050mm

Corner radius of worktop 100mm

Note: Support beam is necessary when top is over 1401mmW

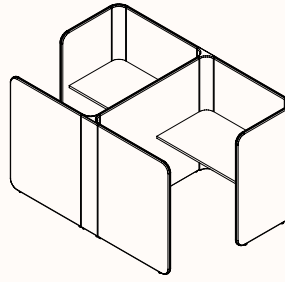
Precinct Enclosed



Single LH or RH

OW	1070mm	Worktop W	1000mm
	1270mm		1200mm
	1470mm		1400mm
	1670mm		1600mm
	1870mm		1800mm
OD	1620mm	Worktop D	600mm
	1720mm		700mm
	1820mm		800mm
OH	1200/1375mm	Worktop H	720/1050mm

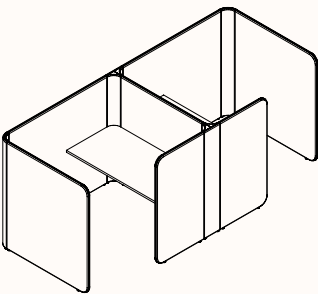
Entry Width 850mm
 Corner radius of worktop 100mm



Side by Side 2

OW	2105mm	Worktop W	1000mm
	2505mm		1200mm
	2905mm		1400mm
	3305mm		1600mm
	3705mm		1800mm
OD	1620mm	Worktop D	600mm
	1720mm		700mm
	1820mm		800mm
OH	1200/1375mm	Worktop H	720/1050mm

Entry Width 850mm
 Corner radius of worktop 100mm



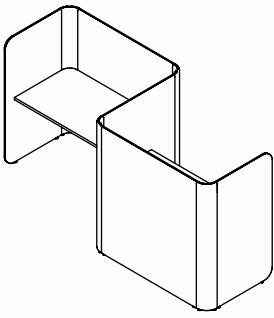
Facing

OW	1070mm	Worktop W	1000mm
	1270mm		1200mm
	1470mm		1400mm
	1670mm		1600mm
	1870mm		1800mm
OD	3205mm	Worktop D	600mm
	3405mm		700mm
	3605mm		800mm
OH	1200/1375mm	Worktop H	720/1050mm

Entry Width 850mm
 Corner radius of worktop 100mm

Note: Support beam is necessary when top is over 1401mmW

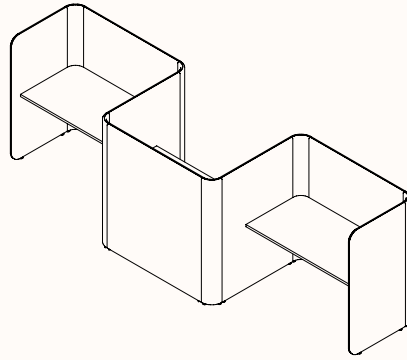
Precinct Alternate Run



Run of 2 with Fixed Worktop

OW	2105mm	Worktop W	1000mm
	2505mm		1200mm
	2905mm		1400mm
	3305mm		1600mm
	3705mm		1800mm
OD	970mm	Worktop D	600mm
	1170mm		700mm
	1370mm		800mm
OH	1200/1375mm	Worktop H	720/1050mm

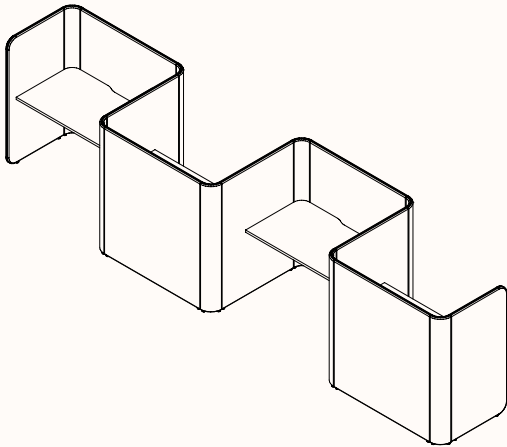
Corner radius of worktop 100mm



Run of 3 with Fixed Worktop

OW	3140mm	Worktop W	1000mm
	3740mm		1200mm
	4340mm		1400mm
	4940mm		1600mm
	5540mm		1800mm
OD	970mm	Worktop D	600mm
	1170mm		700mm
	1370mm		800mm
OH	1200/1375mm	Worktop H	720/1050mm

Corner radius of worktop 100mm

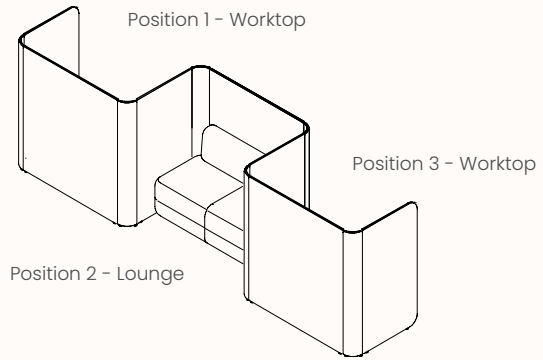
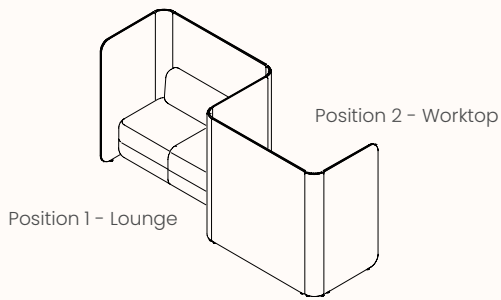


Run of 4 with Fixed Worktop

OW	4175mm	Worktop W	1000mm
	4975mm		1200mm
	5775mm		1400mm
	6575mm		1600mm
	7375mm		1800mm
OD	970mm	Worktop D	600mm
	1170mm		700mm
	1370mm		800mm
OH	1200/1375mm	Worktop H	720/1050mm

Corner radius of worktop 100mm

Precinct Alternate Run



Run of 2 with Seating

OW	2905mm	Worktop W	1400mm
OD	1170mm	Worktop D	700mm
OH	1200/1375mm	Worktop H	720/1050mm

Corner radius of worktop 100mm

Lounge

W 1400mm

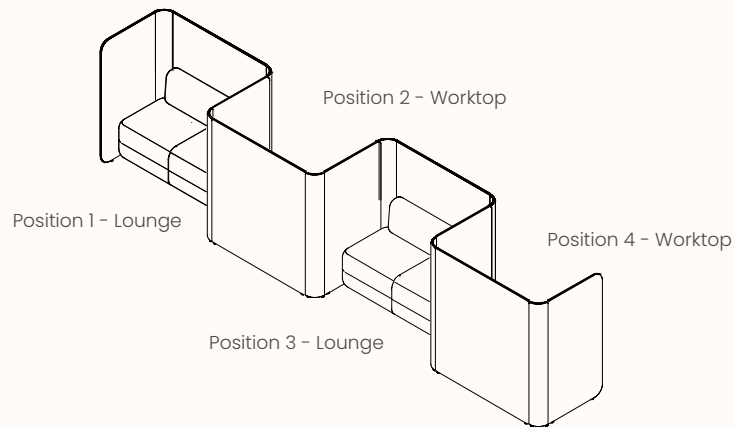
Run of 3 with Seating

OW	4340mm	Worktop W	1400mm
OD	1170mm	Worktop D	700mm
OH	1200/1375mm	Worktop H	720/1050mm

Corner radius of worktop 100mm

Lounge

W 1400mm



Run of 4 with Seating

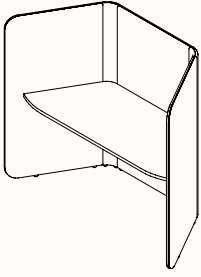
OW	5775mm	Worktop W	1400mm
OD	1170mm	Worktop D	700mm
OH	1200/1375mm	Worktop H	720/1050mm

Corner radius of worktop 100mm

Lounges

W 1400mm

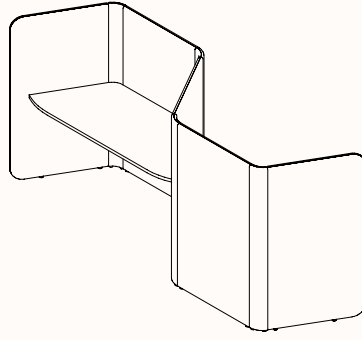
Precinct Tile



Single

OW	1630mm	Worktop W	1400mm
OD	690mm	Worktop D	600mm
OH	1200/1375mm	Worktop H	720/1050mm

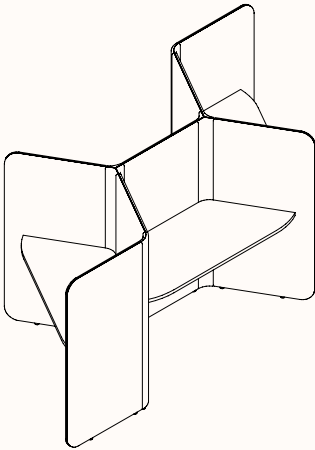
Corner radius of worktop 100mm



Cluster of 2

OW	2880mm	Worktop W	1400mm
OD	760mm	Worktop D	600mm
OH	1200/1375mm	Worktop H	720/1050mm

Corner radius of worktop 100mm

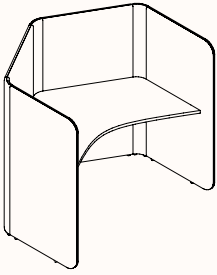


Cluster of 4

OW	3210mm	Worktop W	1400mm
OD	1480mm	Worktop D	600mm
OH	1200/1375mm	Worktop H	720/1050mm

Corner radius of worktop 100mm

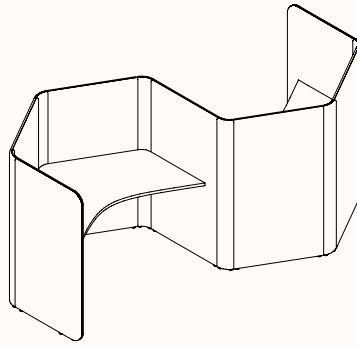
Precinct Arrow



Single

OW	1480mm	Worktop W	1400mm
OD	1185mm	Worktop D	550mm
OH	1200/1375mm	Worktop H	720/1050mm

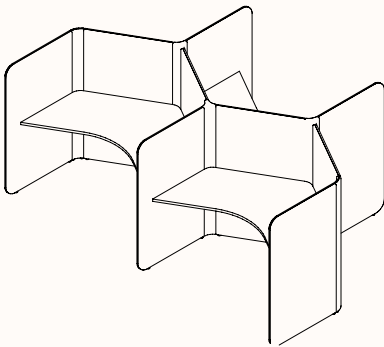
Corner radius of worktop 100mm



Cluster of 2

OW	2930mm	Worktop W	1400mm
OD	1670mm	Worktop D	550mm
OH	1200/1375mm	Worktop H	720/1050mm

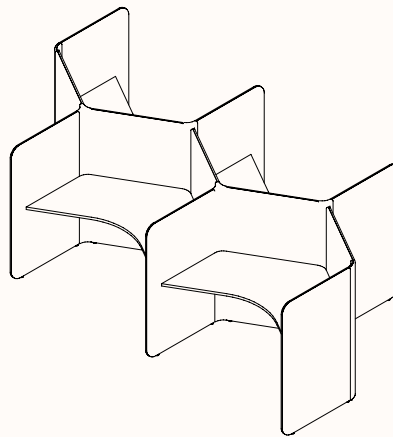
Corner radius of worktop 100mm



Cluster of 3

OW	2930mm	Worktop W	1400mm
OD	1955mm	Worktop D	550mm
OH	1200/1375mm	Worktop H	720/1050mm

Corner radius of worktop 100mm

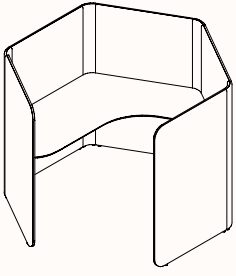


Cluster of 4

OW	3655mm	Worktop W	1400mm
OD	1955mm	Worktop D	550mm
OH	1200/1375mm	Worktop H	720/1050mm

Corner radius of worktop 100mm

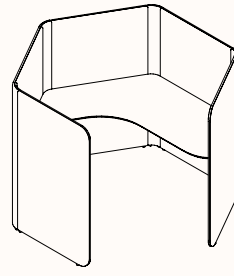
Precinct Wave



Single Left Hand

OW	1850mm	Worktop W	1580mm
OD	1655mm	Worktop D	600mm
OH	1200/1375mm	Worktop H	720/1050mm

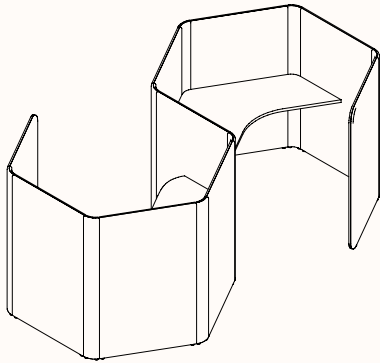
Entry width 980mm
Corner radius 100mm of worktop



Single Right Hand

OW	1850mm	Worktop W	1580mm
OD	1655mm	Worktop D	600mm
OH	1200/1375mm	Worktop H	720/1050mm

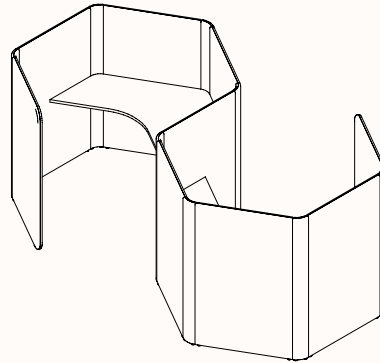
Entry width 980mm
Corner radius of worktop 100mm



Cluster 2 Left Hand

OW	3280mm	Worktop W	1580mm
OD	1870mm	Worktop D	600mm
OH	1200/1375mm	Worktop H	720/1050mm

Entry width 980mm
Corner radius of worktop 100mm

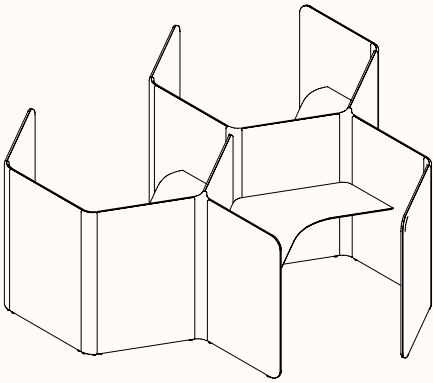


Cluster 2 Right Hand

OW	3280mm	Worktop W	1580mm
OD	1870mm	Worktop D	600mm
OH	1200/1375mm	Worktop H	720/1050mm

Entry width 980mm
Corner radius of worktop 100mm

Precinct Wave

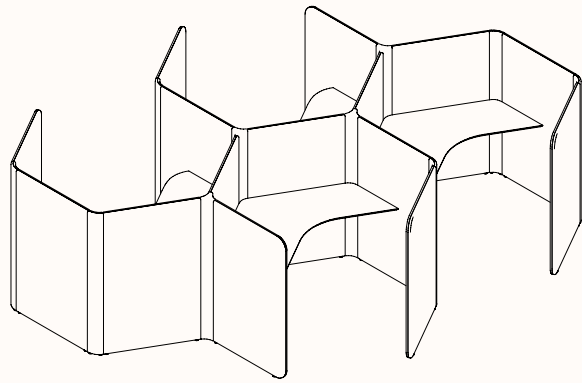


Cluster of 3

OW	3280mm	Worktop W	1580mm
OD	3230mm	Worktop D	600mm
OH	1200/1375mm	Worktop H	720/1050mm

Entry width 980mm

Corner radius of worktop 100mm



Cluster of 4

OW	4090mm	Worktop W	1580mm
OD	3230mm	Worktop D	600mm
OH	1200/1375mm	Worktop H	720/1050mm

Entry width 980mm

Corner radius of worktop 100mm