

Cable Management



CONTENTS:

Cable Hub	2
Glovebox	4
Wire Basket	5
Cable Carrier	5
Felt Basket	6
Services Mounting Plate	7
Cable Sleeve	8
Cable Tractor	10
Cable Cover	11
Rectangular Umbilical	12
96mm Duct Mounted on Z Bracket	13
96mm Duct Mounted on Vertical Bracket	13
Omni Duct	14
Top Mount Plates	15
Worktop Mount Duct	16
Powerblade	17

Cable Hub – 500mm

Features:

The Cable Hub has two sets of mounting brackets at each end and can be fixed to the worktop. Please ensure it will not clash with other items fixed underneath the worktop such as table support beams or in-desk boxes.

Options:

- Cable Hub
- Cable Hub with Cable Sleeve
- Cable Hub with Tractor

Finishes:

100% Recyclable PET:



Mid-Grey

Powder coated Mounting Brackets:

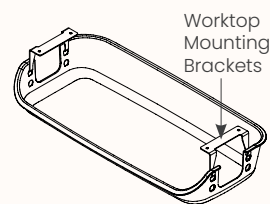


Warm
Grey



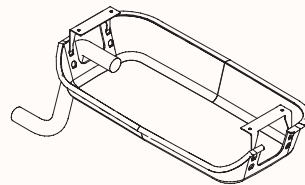
Cool
Grey

Dimensions:



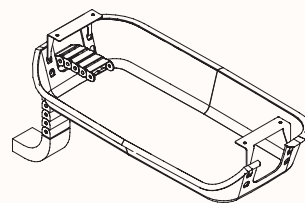
Cable Hub

Length Range	530mm
	500mm (Internal)
Depth Range	250mm
Overall Height	100mm ; 125mm



Cable Hub with Cable Sleeve

Length Range	530mm
	500mm (Internal)
Depth Range	250mm
Overall Height	100mm ; 125mm



Cable Hub with Tractor

Length Range	530mm
	500mm (Internal)
Depth Range	250mm
Overall Height	100mm ; 125mm

Cable Hub – 950mm

Features:

The Cable Hub has two sets of mounting brackets at each end and can be fixed to the worktop. Please ensure it will not clash with other items fixed underneath the worktop such as table support beams or in-desk boxes.

Options:

- Cable Hub
- Cable Hub with cable sleeve
- Cable Hub with Tractor

Finishes:

100% Recyclable PET:



Mid-Grey

Powder coated Mounting Brackets:

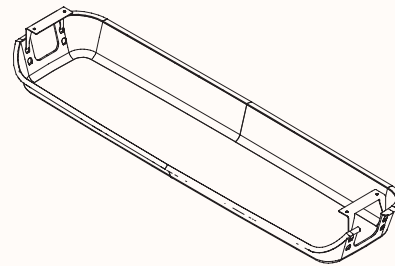


Warm
Grey



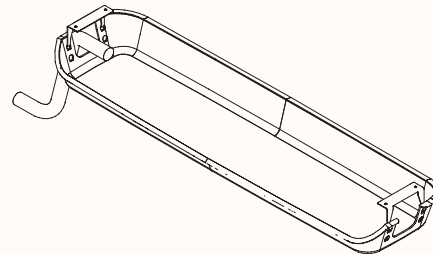
Cool
Grey

Dimensions:



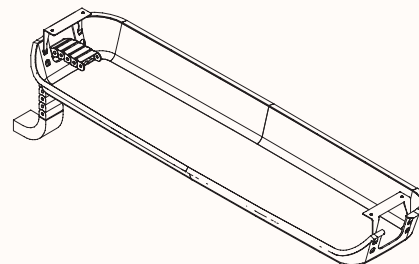
Cable Hub

Length Range	980mm 950mm (Internal)
Depth Range	250mm
Overall Height	100mm ; 125mm



Cable Hub with Cable Sleeve

Length Range	980mm 950mm (Internal)
Depth Range	250mm
Overall Height	100mm ; 125mm



Cable Hub with Tractor

Length Range	980mm 950mm (Internal)
Depth Range	250mm
Overall Height	100mm ; 125mm

Glovebox

Glovebox with or without Power Plate

Features:

The Glovebox is a formed PET cable dump in a fixed size. A low cost and less capacity alternative to the power plate is to order the Glovebox 'without power plate' and then separately order the Services Mount Plate.

Options:

- Power plate for housing CMS soft wiring sockets

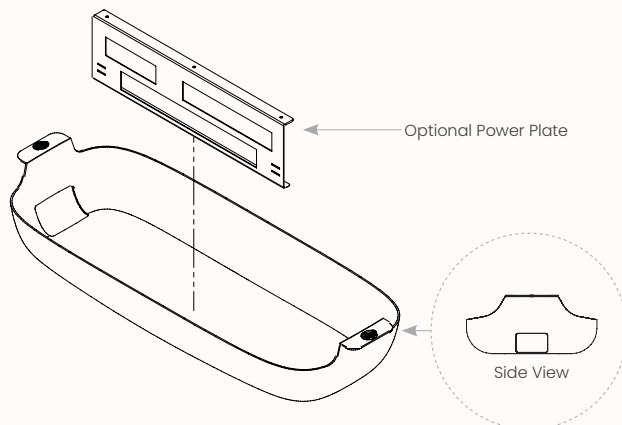
Finishes:

100% Recyclable PET:



Mid-Grey

Dimensions:



Length Range	876mm
Depth Range	325mm
Overall Height	152mm

Wire Basket & Cable Carrier

Wire Basket - 950mm

Features:

Wire Baskets are made of wire mesh folded into a range of standard basket sizes. The worktop mounting brackets are welded to the mesh and the basket is then powder coated. The basket height/depth depends on the worktop mounting brackets.

Options:

- Single Sided
- Double Sided

Finishes:

Powder coat:



Black Ace



Warm Grey



Cool Grey

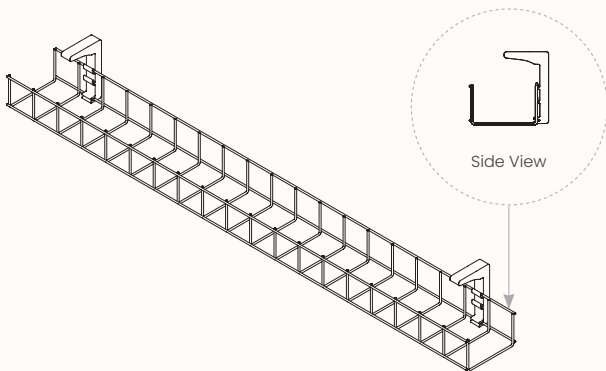


Warm White



Cool White

Dimensions:



Length Range	950mm
Depth Range	50mm
Overall Height	50mm

Cable Carrier - 500mm & 800mm

Features:

The Cable Carrier consists of an aluminium extrusion and plastic retaining clips. The extrusion fixes to the underside of the worktop and is available in two lengths. Multiple pieces can be used to create longer lengths.

Finishes:

Powder coat:



Black Ace



Warm Grey



Cool Grey

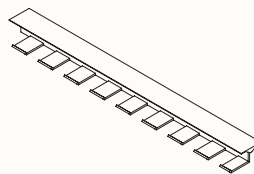


Warm White

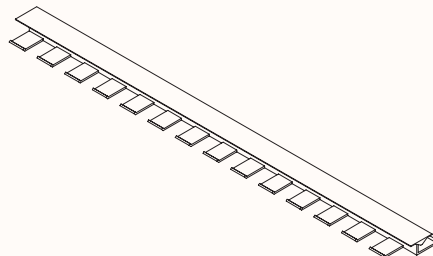


Cool White

Dimensions:



Length Range 500mm



Length Range 800mm

Felt Basket

Features:

Felt Basket works in conjunction with a Cable Sleeve or a third party Umbilical to bring the cabling neatly up from the floor into the basket.

Options:

- With or without Cable Sleeve

Finishes:

Felt:

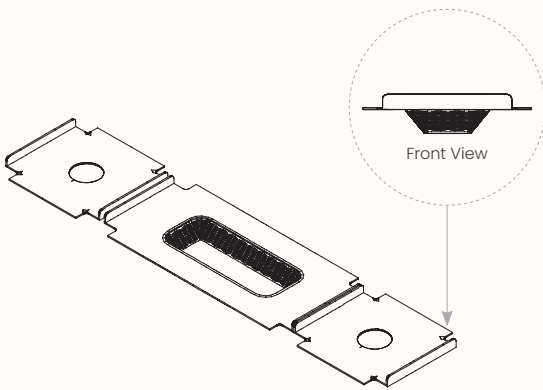


Grey



Charcoal

Dimensions:



Length Range	766-2400mm
Depth Range	236-500mm
Overall Height	30mm

Max in desk box at expandable section: 400L x 150W x 120D

Services Mounting Plate

Features:

The Services Mount Plate is a simple folded sheet metal part to suit required power and data softwiring outlets. The overall plate size is fixed, and are available in two types of plates – dual and quad.

Options:

- Dual plate fit 2x data and 2x GPO
- Quad plate can fit 2x data and 4x GPO

Finishes:

Powder coat:



Black
Ace



Warm
Grey



Cool
Grey

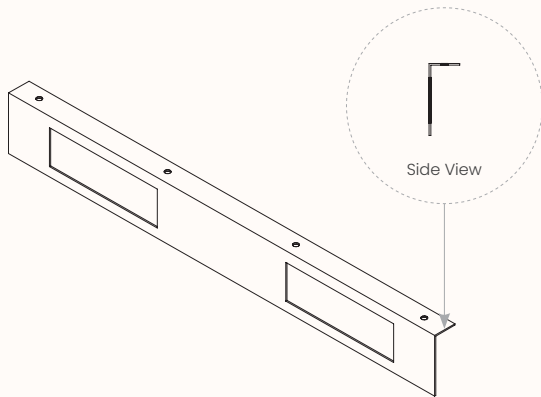


Warm
White



Cool
White

Dimensions:



Length Range	520mm
Depth Range	25mm
Overall Height	65mm

Cable Sleeve

Features:

The Cable Sleeve brings the cabling neatly up from the underside of the desktop to the cable tray or floor. It pairs perfectly with the 'Felt Basket & Cable Hub', but can also be used independently. The Sleeve is a textured fabric and can safely hold 1 x Power and 2 x Data cables.

Options:

- With or without Felt Basket

Finishes:

Fabric:



Black

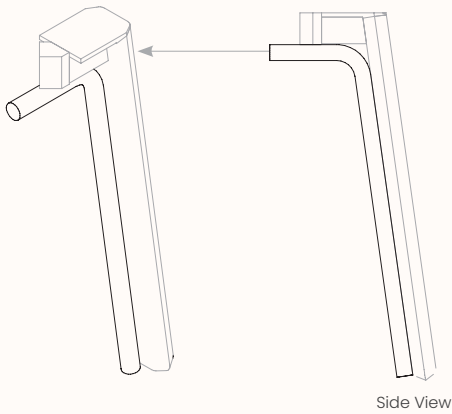


Grey



White

Dimensions:



Length Range	25mm
Depth Range	1mm
Overall Height	1000mm

Cable Sleeve with ABS

Features:

The braided Cable Sleeve cleverly conceals the under desk cabling on all Zenith workstations. Designed with a loop at each end to attach the sleeve to the worktop and ducting or floor. Each sleeve can house a maximum of 2 power and 5 data cables. The Sleeve is a textured fabric with a matching ABS guide. It is located inside the braided Cable Sleeve to stiffen the fabric giving it a more rigid appearance. The ABS strip can be removed if desired.

Finishes:

Fabric:



Black

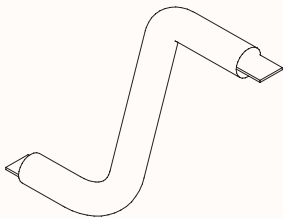


Grey



White

Dimensions:



DIA	25mm
Length Range	1000mm

Cable Tractor

Features:

The Cable Tractor carries cables from the duct to the worktop and is mainly suited to height adjustable desks. It comes with end brackets and fasteners and has no internal segregation.

Finishes:

Powder coat:



Black
Ace

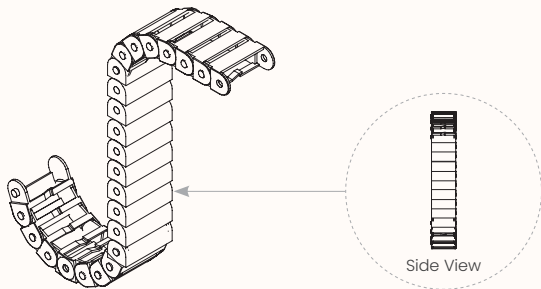


Warm
White



Cool
White

Dimensions:



Length Range	50mm
Depth Range	20mm
Overall Height	1000mm

Cable Cover

Features:

The cable cover carries cables from the floor up the workstation/table leg to the underside of the worktop. Plastic clips are screw-fixed to the leg, and an extruded cover pushes on over the cables.

Options:

- Can hold up to 3 power cables or 6 data cables

Finishes:

Plastic Clip: Black Matte

Powder coat:



Black
Ace



Warm
Grey



Cool
Grey



Warm
White



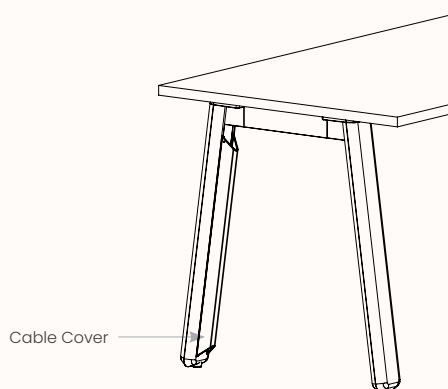
Cool
White

Timber:



Oak
Vinyl

Dimensions:



Length Range	49mm
Depth Range	34mm
Overall Height	Calculated to suit table/workstation type & height

Rectangular Umbilical

Features:

The Rectangular Umbilical carries cables from the duct to the worktop and is mainly suited to height adjustable desks. There are two types of mounting brackets to suit different desk systems:

Rectangular Umbilical – Vertical Cable Management

The Rectangular Umbilical carries cables from the access floor to the worktop and comes with a floor base at one end and a worktop mounting bracket at the other end. The umbilical comes in a variety of lengths to suit different desk applications:

- 750mm L (suits 720 / 750H fixed height desks)
- 900mm L (suits 900H fixed height desks)
- 1050mm L (suits 1050H fixed height desks)
- 1230mm L (suits electric adjust desks)

The umbilical segment is approx. 68mm x 36mm and has internal segregation into 4 compartments.

Finishes:

Powder coat:



Black
Ace



Warm
Grey



Cool
Grey



Warm
White



Cool
White

Dimensions:



Length Range	68mm
Depth Range	36mm
Overall Height	750/900/1000/1050/1230mm

96mm Duct Mounted on Z Bracket / Vertical Bracket

96mm Duct Mounted on Z Bracket

Features:

The 96mm Duct can be fixed to the worktop using Z-brackets. The Z-brackets offset the duct to give flexibility in the mounting position and avoid other items under the worktop.

Finishes:

Powder coat:



Black
Ace



Warm
Grey



Cool
Grey

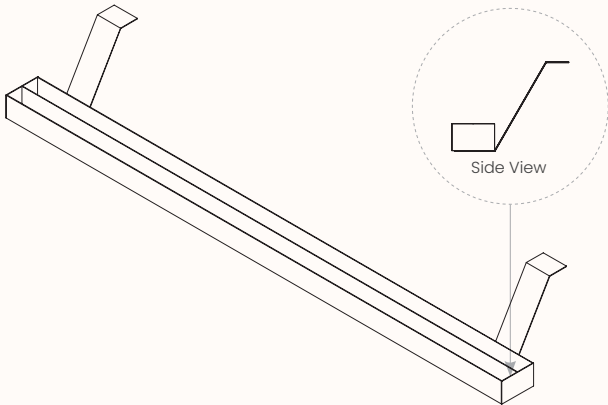


Warm
White



Cool
White

Dimensions:



Length Range	500-2700mm
Depth Range	236mm
Overall Height	160mm

96mm Duct Mounted on Vertical Bracket

Features:

The 96mm Duct can be fixed to the worktop using vertical brackets. The Vertical Brackets provide a smaller footprint and give flexibility in the mounting position and avoid other items under the worktop.

Finishes:

Powder coat:



Black
Ace



Warm
Grey



Cool
Grey

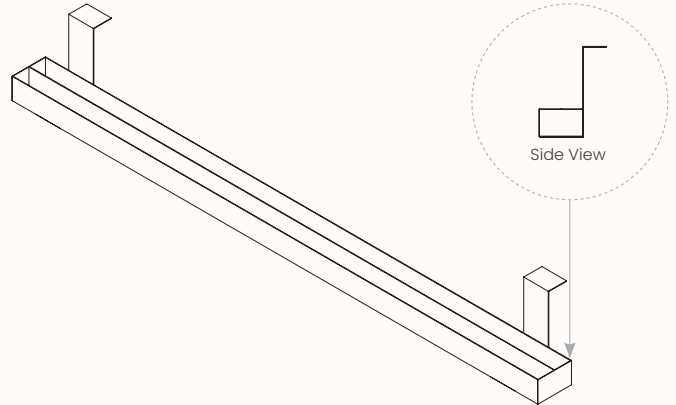


Warm
White



Cool
White

Dimensions:



Length Range	500-2700mm
Depth Range	149mm
Overall Height	160mm

Omni Duct

Omni Duct

Features:

Omni Duct has 3 rows of formed detail in the tray so that power and data can be segregated in the separate rows. Double or Quad GPO Inserts clip into Omni Duct.

Options:

- Cable Divider can be specified for physical separation in Omni Duct
- With or without plates

Finishes:

Powder coat:



Black
Ace



Warm
Grey



Cool
Grey

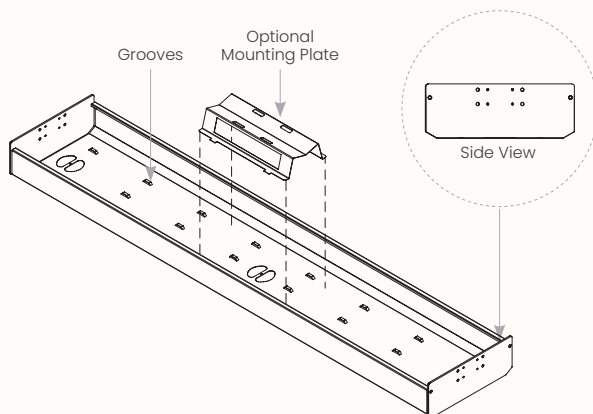


Warm
White



Cool
White

Dimensions:



Length Range	Variable
Depth Range	300mm
Overall Height	88mm

Top Mount Plates

Features:

Top Mount Plates are folded sheet metal parts which fix to the underside of the worktop to house power/data outlets. The Top Mount Plates are designed to seamlessly integrate with other cable management products such as the Worktop Mount Duct.

Finishes:

Powder coat:



Black
Ace



Warm
Grey



Cool
Grey

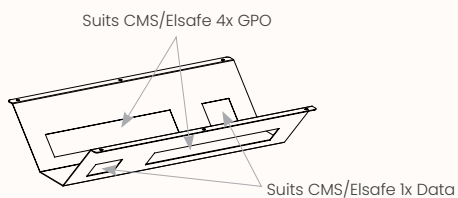


Warm
White



Cool
White

Dimensions:



CMS/Elsafe

Top Mount Plates

Length Range	410mm
Depth Range	284mm
Height Range	90mm

Worktop Mount Duct

Features:

The Worktop Mount Duct is a simple folded steel cable tray compatible with multiple different power/data requirements and other cable management products such as the Top Mount Plates. The underside of the duct comes with attachment points for an umbilical to the floor.

Finishes:

Powder coat:



Black
Ace



Warm
Grey



Cool
Grey

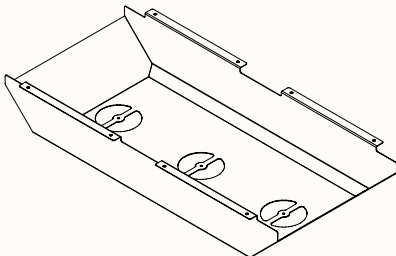


Warm
White



Cool
White

Dimensions:



Length Range	660mm
Depth Range	324mm
Overall Height	110mm to suit CMS/Elsafe top mount plates

100 x 30 Powerblade & 100 x 50 Powerblade

100 x 30 Powerblade

Features:

100 x 30 Powerblade is designed to bring cabling in from the ceiling to the workstation. It can be fitted from floor or bottom of screen up to the ceiling. Can be compatible with S30 screen as well.

Finishes:

Powder coat:



Black Ace



Warm Grey



Cool Grey



Warm White



Cool White

Dimensions:



Length Range 100mm
Depth Range 30mm
Overall Height Any height
(Can go to the ceiling)

100 x 50 Powerblade

Features:

100 x 50 Powerblade is designed to bring cabling in from the ceiling to the workstation. It can be fitted from floor or bottom of screen up to the ceiling. Can be compatible with S50 screen as well.

Finishes:

Powder coat:



Black Ace



Warm Grey



Cool Grey



Warm White



Cool White

Dimensions:



Length Range 100mm
Depth Range 50mm
Overall Height Any height
(Can go to the ceiling)